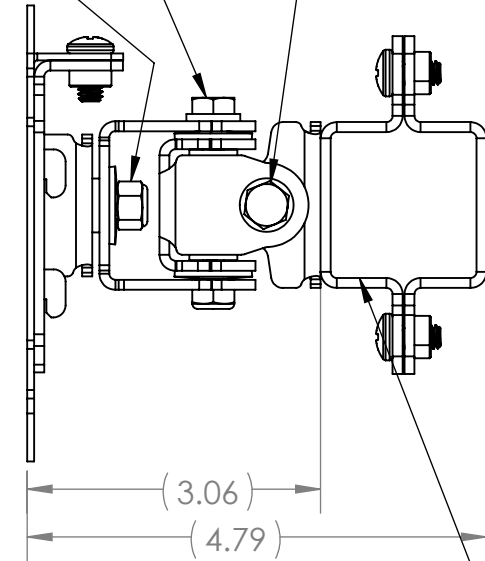


Y AXIS ADJUSTMENT
SEE NOTE 1
Z AXIS ADJUSTMENT
SEE NOTE 1
X AXIS ADJUSTMENT
SEE NOTE 1



1.50X1.50 SQ TUBE MOUNT

NOTE:

1. ANGULAR MOVEMENT BASED ON A 24" MONITOR.
 1. X AXIS +/-35°
 2. Y AXIS +/-15°
 3. Z AXIS +/-180°
2. MAXIMUM MONITOR WEIGHT 17.5lbs.
3. MATERIAL: 12GA STEEL.
4. FINISH: BLACK POWDER COAT, MEDIUM TEXTURE.

KENDALL HOWARD CONFIDENTIAL
THE INFORMATION CONTAINED IN THIS DRAWING IS THE SOLE PROPERTY OF KENDALL HOWARD. ANY REPRODUCTION IN PART OR AS A WHOLE WITHOUT THE WRITTEN PERMISSION OF KENDALL HOWARD IS STRICTLY PROHIBITED.

MANUFACTURING COMMENTS:

UNLESS OTHERWISE SPECIFIED, ALL DIMENSIONS ARE IN INCHES.

TOLERANCES:
FRACTIONAL: ±1/8
ANGULAR: ±1°
TWO PLACE DECIMAL: ±.03
THREE PLACE DECIMAL: ±.010
HOLE: ±.005

MATERIAL: NA
SURFACE AREA (in²): NA
FINISH ID: NA
FINISH DESCRIPTION: NA

DO NOT SCALE DRAWING

APPROVAL		DATE
DRAWN	BS	05/20/2022
DESIGN	BS	05/20/2022
ENG APPR		
MFG APPR		

LEGACY Part Number:
CLASSIFICATION:
Technical Furniture



KENDALL HOWARD

TITLE:
PRODUCT DATA- 3 AXIS MONITOR MOUNT

SIZE	DWG. NO.	REV
A	5200-3-501-00	A
PRODUCT DATA		
SCALE: 1:4	WEIGHT (lbs): 1.98	SHEET 1 OF 1

NA	INITIAL RELEASE.	BS	05/24/2022	BS
ECO No:	Description:	By:	Date:	App By: