

6

5

4

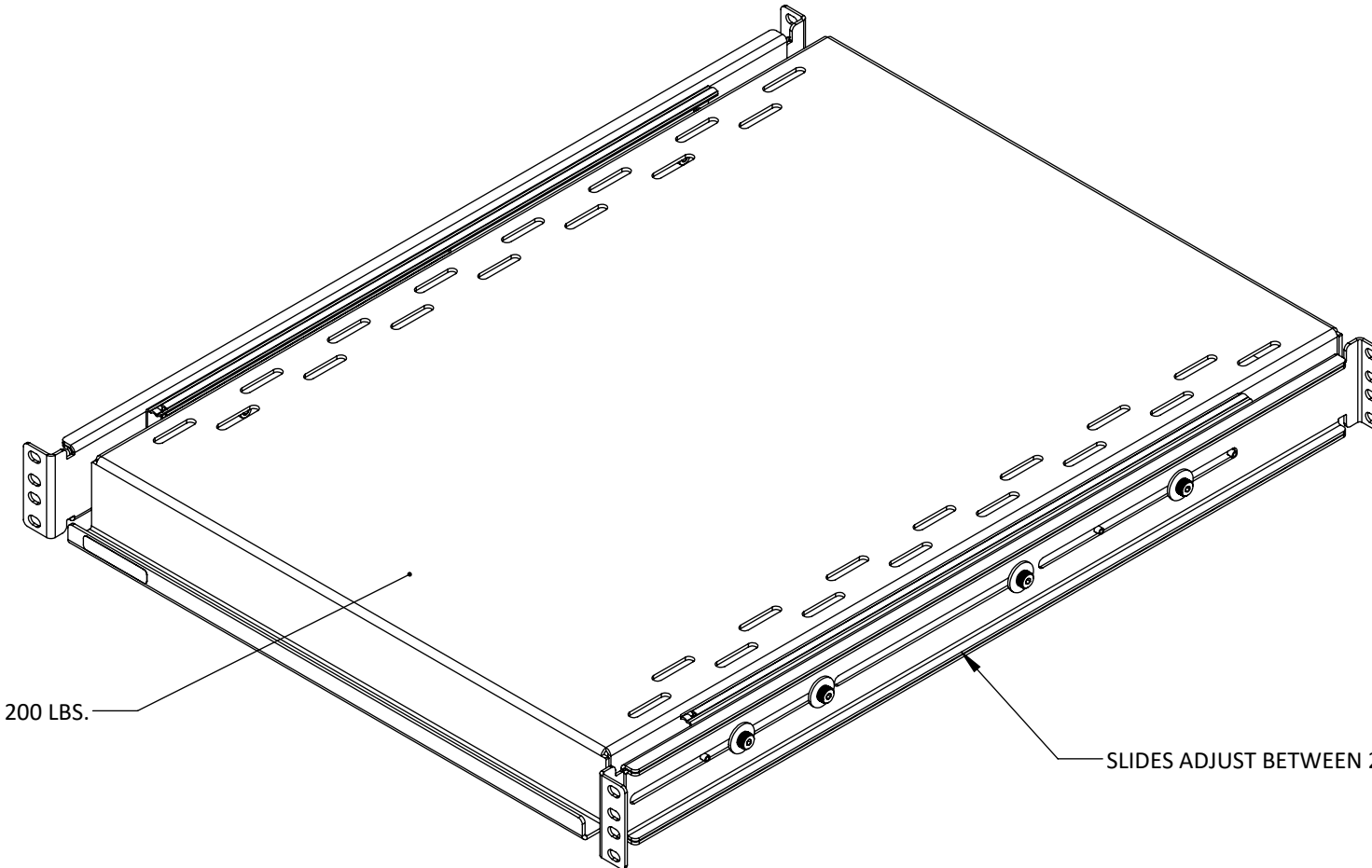
3

2

1

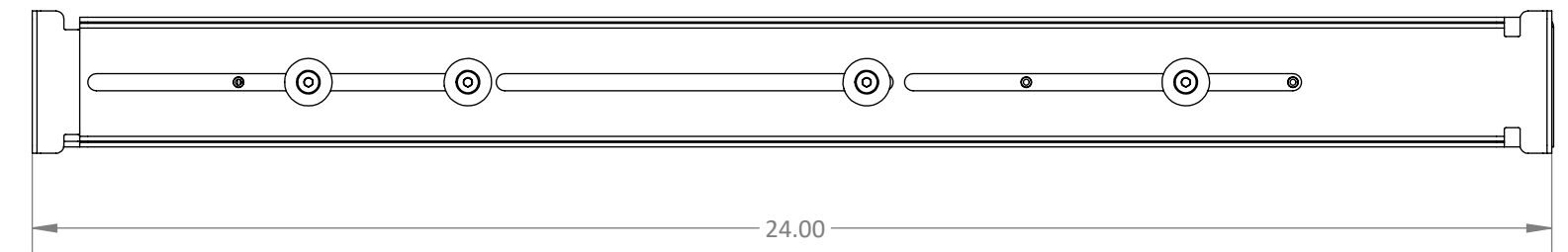
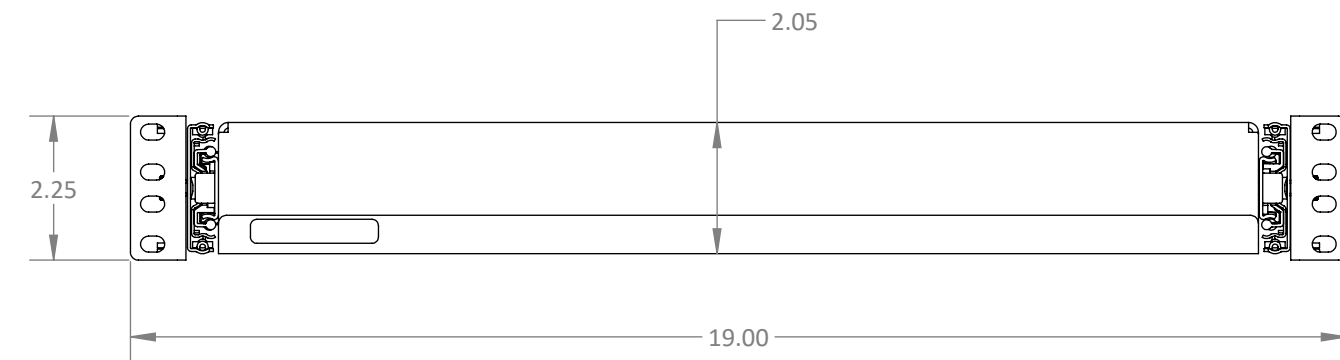
# CUSTOMER REFERENCE

REVISIONS				
REV	ECO	DESCRIPTION	DATE	APPROVED
A1	426	CATALOG RELEASE.	07/25/2024	AH



SHELF AND SLIDES RATED TO 200 LBS.

SLIDES ADJUST BETWEEN 24 AND 36 INCHES



<b>KENDALL HOWARD CONFIDENTIAL</b> THE INFORMATION CONTAINED IN THIS DRAWING IS THE SOLE PROPERTY OF KENDALL HOWARD. ANY REPRODUCTION IN PART OR AS A WHOLE WITHOUT THE WRITTEN PERMISSION OF KENDALL HOWARD IS STRICTLY PROHIBITED.	<b>UNLESS OTHERWISE SPECIFIED, ALL DIMENSIONS ARE IN INCHES.</b> TOLERANCES: FRACTIONAL: ±1/8 ANGULAR: ±1° TWO PLACE DECIMAL: ±.03 THREE PLACE DECIMAL: ±.010 HOLE: ±.005	<b>APPROVAL</b> DRAWN AH 05/03/2024 DESIGN AH 04/24/2024 ENG APPR MFG APPR	<b>DATE</b> 05/03/2024 04/24/2024		
	<b>MANUFACTURING COMMENTS:</b>	<b>MATERIAL:</b> SEE BOM	<b>LEGACY Part Number:</b> 1922-3-300-01		<b>TITLE:</b> <b>24" HEAVY DUTY RACKMOUNTABLE SLIDING SHELF</b>
	<b>SURFACE AREA (in²):</b> SEE BOM	<b>FINISH ID:</b> N/A	<b>CLASSIFICATION:</b> Rock Accessories		<b>SIZE</b> DWG. NO.
	<b>FINISH DESCRIPTION:</b> SEE BOM	THIRD ANGLE PROJECTION 	INTERPRET DIMENSIONS AND TOLERANCES PER ASME Y14.5-2009		<b>REV</b> <b>A1</b>
DO NOT SCALE DRAWING				<b>B</b> 1922-3-600-01 SCALE: 1:3 WEIGHT (lbs): 21.49 SHEET 1 OF 1	