

NOTE:

1. WORK SURFACE MATERIALS:

RTG WILL BE USER DEFINED.

b. NEVMAR® HDPL, WOOD SUBSTRATE WITH PAPER BACKING.

c. WORK SURFACE COLOR IS CLOUDY GRAY.

2. WORK SURFACE SIZE, 48" X 30", EDGES ARE BLACK PVC AND DO NOT PROVIDE ESD PROTECTION.

3. ESD PROTECTION CONSISTS OF A BRASS COMMON GROUND POINT, (1) BRASS WRIST STRAP CONNECTION, CONNECTION TO CONDUCTIVE FLOOR WITH GROUNDING BOOT AND 10FT WIRE FOR DIRECT GROUND CONNECTION.

4. TABLE HAS 4 SET HEIGHTS OF 30.00", 34.00", 38.00" AND 42.00".

5. LOAD LIMIT IS 1,000LBS, UNIFORM.

6. CONSTRUCTED OF STEEL. FINISH IS GLOSS BLACK, POWDER COAT.

KENDALL HOWARD CONFIDENTIAL
 THE INFORMATION CONTAINED IN THIS DRAWING IS THE SOLE PROPERTY OF KENDALL HOWARD. ANY REPRODUCTION IN PART OR AS A WHOLE WITHOUT THE WRITTEN PERMISSION OF KENDALL HOWARD IS STRICTLY PROHIBITED.

MANUFACTURING COMMENTS:

UNLESS OTHERWISE SPECIFIED, ALL DIMENSIONS ARE IN INCHES.

TOLERANCES:
 FRACTIONAL: ±1/8
 ANGULAR: ±1°
 TWO PLACE DECIMAL: ±.03
 THREE PLACE DECIMAL: ±.010
 HOLE: ±.005

MATERIAL: NA

SURFACE AREA (in²): NA

FINISH ID: NA

FINISH DESCRIPTION:
 NA

DO NOT SCALE DRAWING

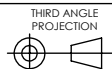
APPROVAL

DATE

DRAWN	BS	01/18/2021
DESIGN	BS	01/18/2021
ENG APPR		
MFG APPR		

LEGACY Part Number:

CLASSIFICATION:



INTERPRET DIMENSIONS AND TOLERANCES PER ASME Y14.5-2009

KENDALL HOWARD

TITLE:
PRODUCT DATA- 48X30 ESD TABLE

SIZE	DWG. NO.	REV
A	ESDW-4830-1000 PD	A

SCALE: 1:16 WEIGHT (lbs): 115.42 SHEET 1 OF 2

ECO No:	Description:	By:	Date:	App By:
---------	--------------	-----	-------	---------

5

4

3

2

1

D

D

C

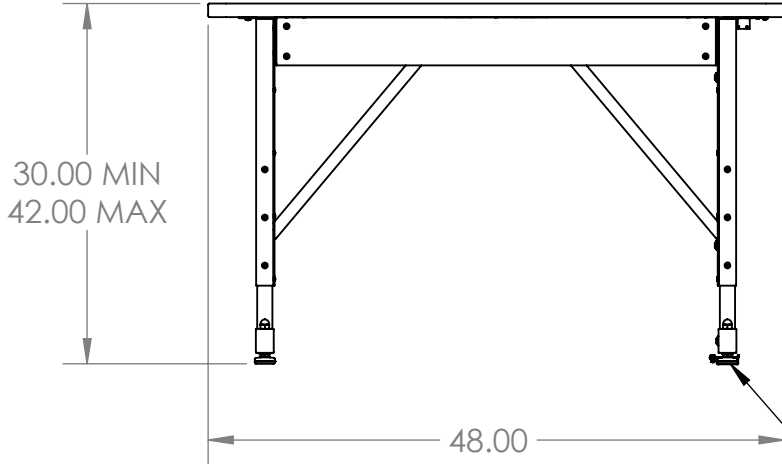
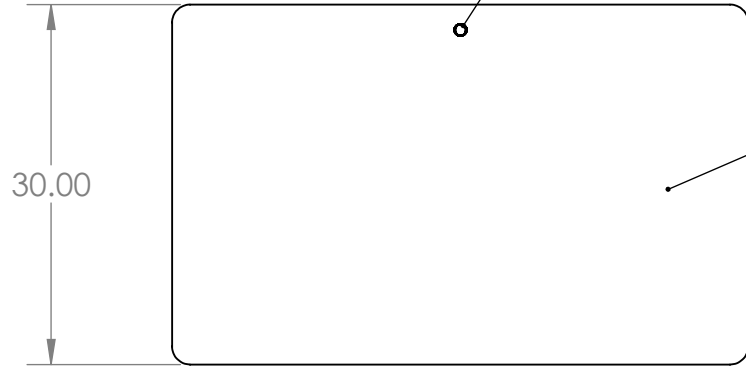
C

B

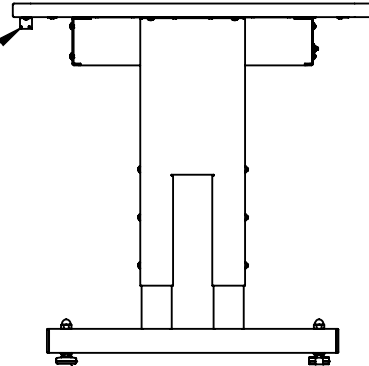
B

A

A



WRIST STRAP



GROUNDING BOOT

KENDALL HOWARD

SIZE	DWG. NO.	REV
A	ESDW-4830-1000 PD	A

SCALE: 1:16 WEIGHT (lbs): 115.42 SHEET 2 OF 2

