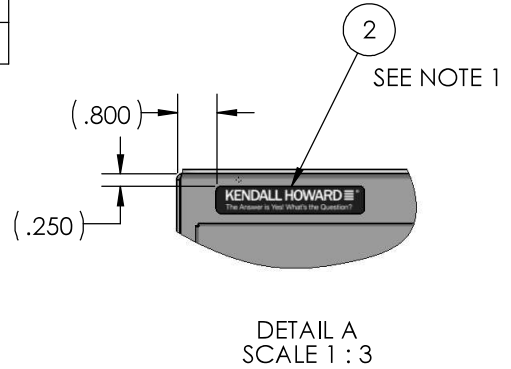
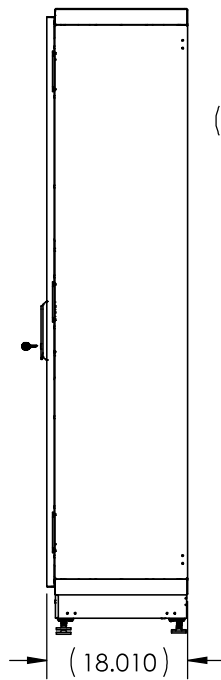
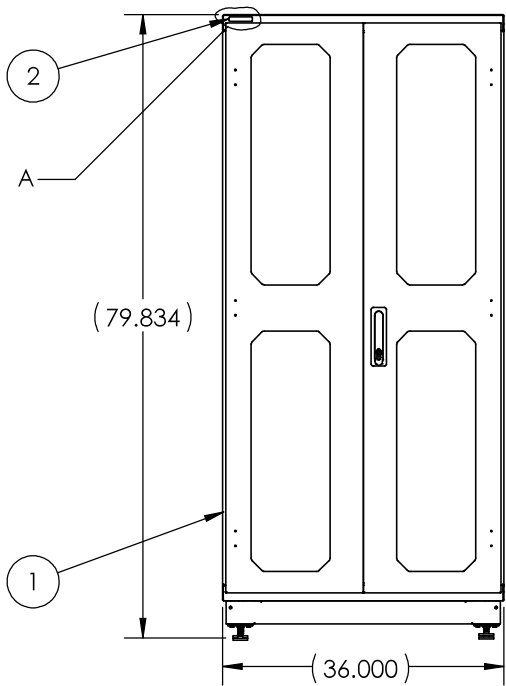


ITEM NO.	PART NUMBER	DESCRIPTION	
1	A-2500	ESD CABINET ASSEMBLY, 78" T X 36" W X 18" D (BLACK)	1
2	LBL-0009	LABEL, LOGO, KH, 3.000 INCH X .550 INCH	1



NOTE:
1. USE JIG, TBD, TO LOCATE ② .

KENDALL HOWARD CONFIDENTIAL THE INFORMATION CONTAINED IN THIS DRAWING IS THE SOLE PROPERTY OF KENDALL HOWARD. ANY REPRODUCTION IN PART OR AS A WHOLE WITHOUT THE WRITTEN PERMISSION OF KENDALL HOWARD IS STRICTLY PROHIBITED.		UNLESS OTHERWISE SPECIFIED, ALL DIMENSIONS ARE IN INCHES.		APPROVAL DRAWN BS 03/17/2021 DESIGN BS 03/17/2021 ENG APPR MFG APPR		DATE 03/17/2021		KENDALL HOWARD TITLE: SKU, ESD CABINET- NO ACCESSORIES		
		MANUFACTURING COMMENTS: MATERIAL: SEE BOM SURFACE AREA (in ²): NA FINISH ID: NA FINISH DESCRIPTION: NA		LEGACY Part Number: CLASSIFICATION: ESD Cabinets		SIZE DWG. NO. A ESDC-7836-1000				REV C
NA	Revision change to reflect changes in grounding from insulated leveler to conductive leveler.	BS	08/12/2021	App By:	THIRD ANGLE PROJECTION 		INTERPRET DIMENSIONS AND TOLERANCES PER ASME Y14.5-2009		SCALE: 1:32 WEIGHT (lbs): 272.96 SHEET 1 OF 1	
ECO No:	Description:	By:	Date:	App By:	DO NOT SCALE DRAWING					