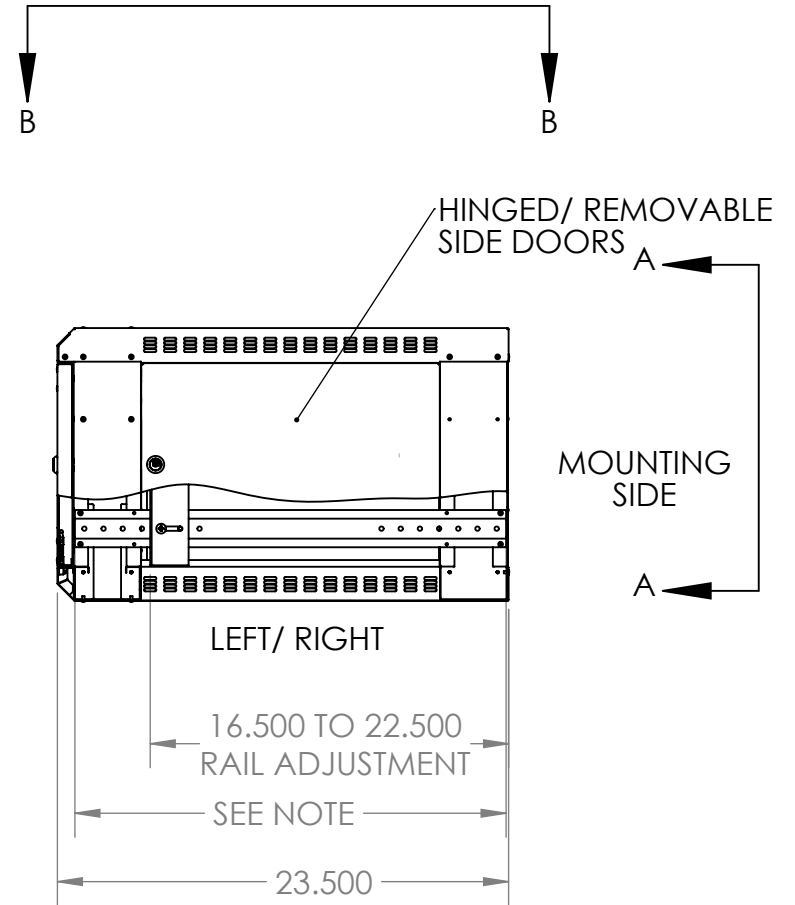
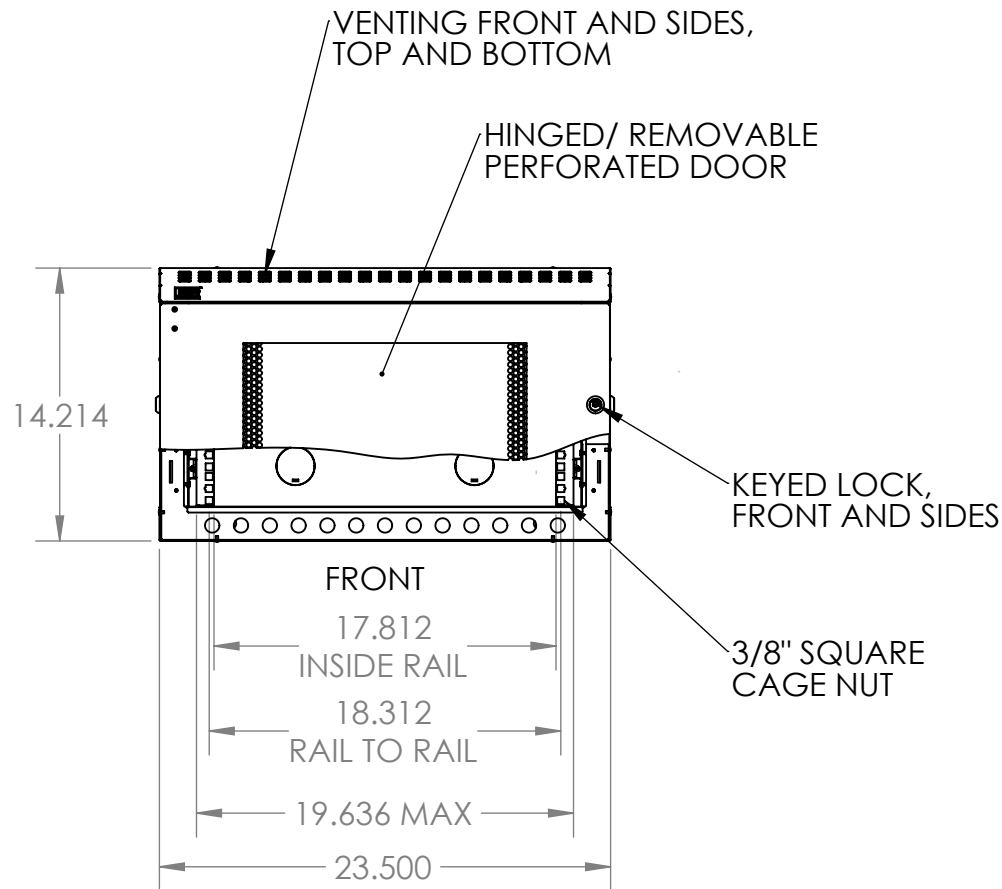


NOTE:
 22.5 MAX RAIL TO RAIL
 12.5 MIN RAIL TO RAIL



UNLESS OTHERWISE SPECIFIED:
 DIMENSIONS ARE IN INCHES
 TOLERANCES:
 FRACTIONAL: ±1/8
 ANGULAR: BEND ±1DEGREE
 TWO PLACE DECIMAL ±.03
 THREE PLACE DECIMAL ±.01
 Surface Area

WEB PRINT

PROPRIETARY AND CONFIDENTIAL
 THE INFORMATION CONTAINED IN THIS DRAWING IS THE SOLE PROPERTY OF KENDALL HOWARD. ANY REPRODUCTION IN PART OR AS A WHOLE WITHOUT THE WRITTEN PERMISSION OF KENDALL HOWARD IS STRICTLY PROHIBITED.

NEXT ASSY		USED ON	MATERIAL
APPLICATION		DO NOT SCALE DRAWING	FINISH

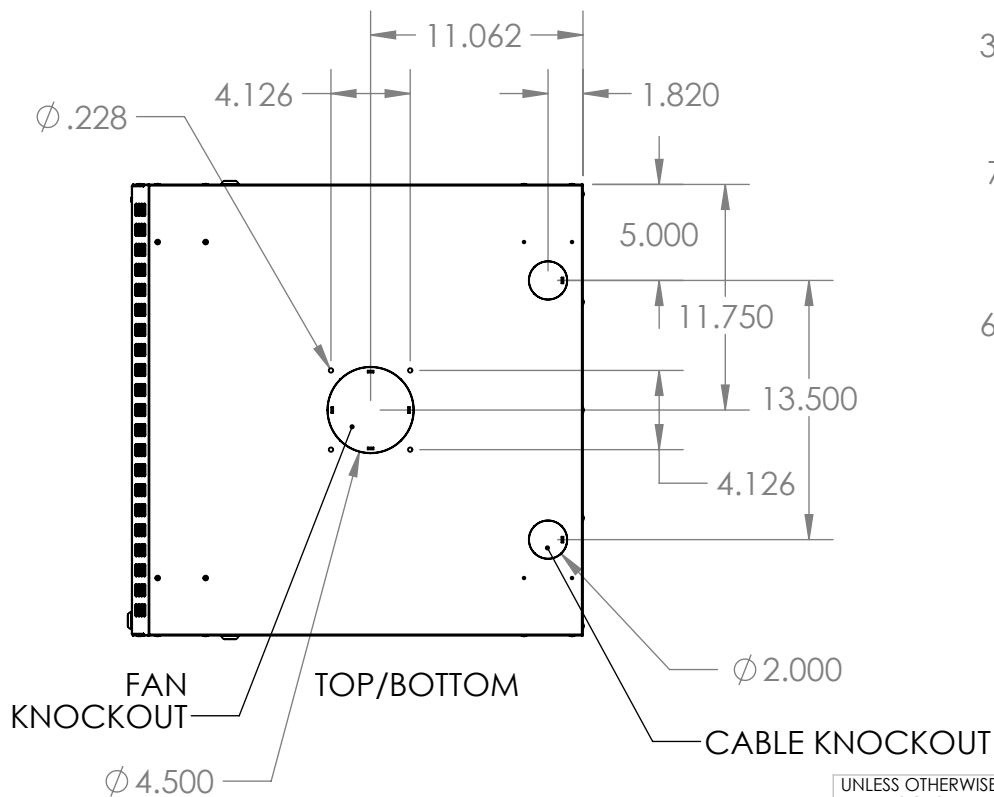
	NAME	DATE
DRAWN		
CHECKED		
ENG APPR.		
MFG APPR.		
Q.A.		
COMMENTS:		

KENDALL HOWARD

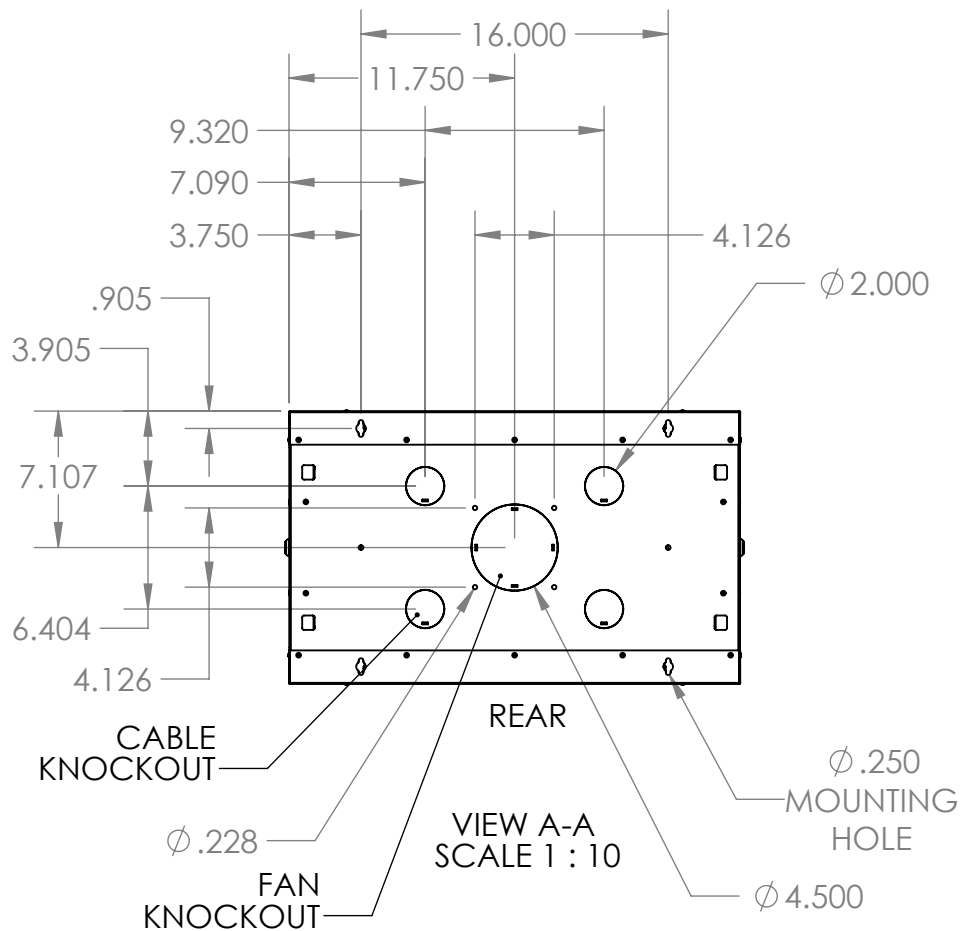
TITLE:
6U LINIER WM FIXED CABINET, PERFORATED DOOR

SIZE	DWG. NO.	REV
A	3142-3-001-06 WP	

SCALE: 1:20 WEIGHT: 32.56 SHEET 1 OF 2



VIEW B-B
SCALE 1 : 10



VIEW A-A
SCALE 1 : 10

PROPRIETARY AND CONFIDENTIAL
THE INFORMATION CONTAINED IN THIS DRAWING IS THE SOLE PROPERTY OF KENDALL HOWARD. ANY REPRODUCTION IN PART OR AS A WHOLE WITHOUT THE WRITTEN PERMISSION OF KENDALL HOWARD IS STRICTLY PROHIBITED.

WEB PRINT	
NEXT ASSY	USED ON
APPLICATION	

UNLESS OTHERWISE SPECIFIED: DIMENSIONS ARE IN INCHES TOLERANCES: FRACTIONAL ± 1/8 ANGULAR: BEND ± 1 DEGREE TWO PLACE DECIMAL ± .03 THREE PLACE DECIMAL ± .01
Surface Area
MATERIAL
FINISH
DO NOT SCALE DRAWING

	NAME	DATE
DRAWN		
CHECKED		
ENG APPR.		
MFG APPR.		
Q.A.		
COMMENTS:		

KENDALL HOWARD

TITLE:
6U LINIER WM FIXED CABINET, PERFORATED DOOR

SIZE	DWG. NO.	REV
A	3142-3-001-06 WP	

SCALE: 1:20 WEIGHT: 32.56 SHEET 2 OF 2