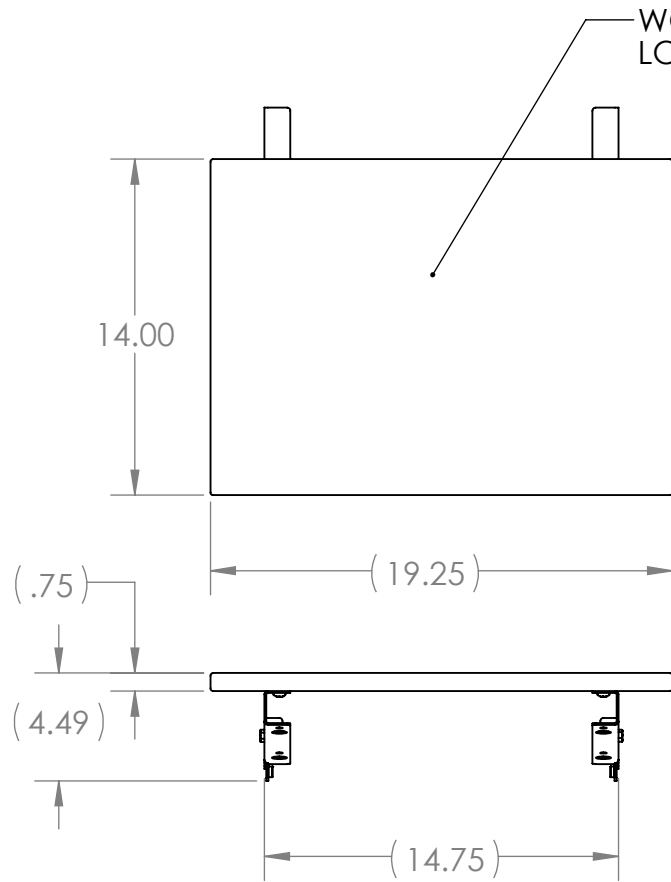


SHELF SHOWN MOUNTED HORIZONTAL



- NOTE:**
1. SHELF SUPPORTS, 14GA CRS, POWDER COAT BLACK, MEDIUM TEXTURE.
 2. WOOD SHELF IS HIGH DENSITY PRESSURE LAMITE, COLOR TBD.

- MOUNTS TO 1-1/2" SQ TUBE
 KENDALL HOWARD
 ACCESSORY BAR PART #
- 5200-3-500-24
 - 5200-3-500-48
 - 5200-3-500-72
 - 5200-3-500-96
 - 5200-3-500-CR
 - 7000-3-536-00
 - 7000-3-548-00
 - 7000-3-560-00
 - 7000-3-572-00
 - 7000-3-5CR-00

KENDALL HOWARD CONFIDENTIAL
 THE INFORMATION CONTAINED IN THIS DRAWING IS THE SOLE PROPERTY OF KENDALL HOWARD. ANY REPRODUCTION IN PART OR AS A WHOLE WITHOUT THE WRITTEN PERMISSION OF KENDALL HOWARD IS STRICTLY PROHIBITED.

MANUFACTURING COMMENTS:

UNLESS OTHERWISE SPECIFIED, ALL DIMENSIONS ARE IN INCHES.	
TOLERANCES: FRACTIONAL: ±1/8 ANGULAR: ±1° TWO PLACE DECIMAL: ±.03 THREE PLACE DECIMAL: ±.010 HOLE: ±.005	
MATERIAL: NA	
SURFACE AREA (in ²): NA	
FINISH ID: NA	
FINISH DESCRIPTION: NA	
DO NOT SCALE DRAWING	

APPROVAL		DATE
DRAWN	BS	12/02/2020
DESIGN	BS	12/02/2020
ENG APPR		
MFG APPR		
LEGACY Part Number:		
CLASSIFICATION:		
THIRD ANGLE PROJECTION		INTERPRET DIMENSIONS AND TOLERANCES PER ASME Y14.5-2009

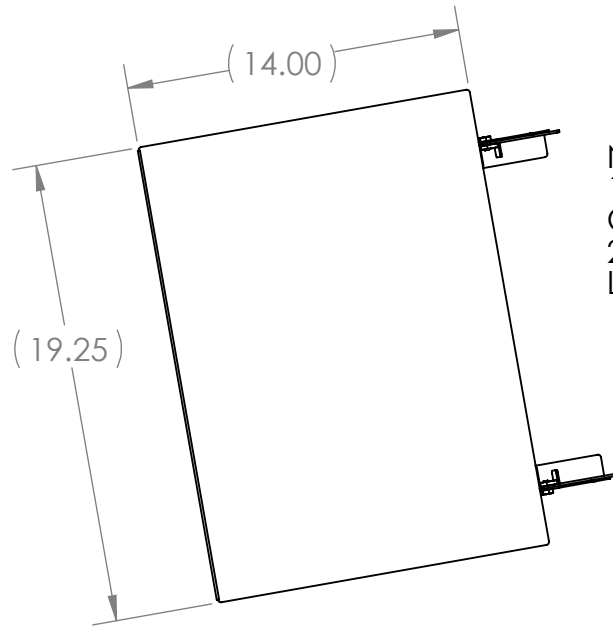
KENDALL HOWARD

TITLE:
PRODUCT DATA- LAN STATION WOOD SHELF

SIZE	DWG. NO.	REV
A	5200-3-420--00 PD	A
SCALE: 1:8	WEIGHT (lbs): 9.71	SHEET 1 OF 2

NA	INITIAL RELEASE.	BS	11/20/2020	BS
ECO No:	Description:	By:	Date:	App By:

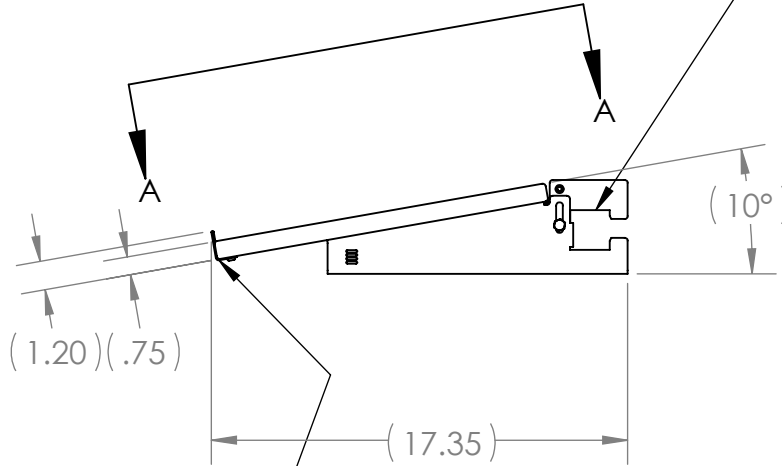
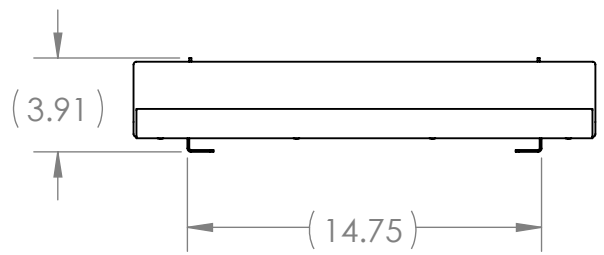
SHELF SHOWN MOUNTED AT 10°



NOTE:
 1. SHELF SUPPORTS, 14GA CRS, POWDER COAT BLACK, MEDIUM TEXTURE.
 2. WOOD SHELF IS HIGH DENSITY PRESSURE LAMITE, COLOR TBD.

- MOUNTS TO 1-1/2" SQ TUBE
 KENDALL HOWARD
 ACCESSORY BAR PART #
 5200-3-500-24
 5200-3-500-48
 5200-3-500-72
 5200-3-500-96
 5200-3-500-CR
 7000-3-536-00
 7000-3-548-00
 7000-3-560-00
 7000-3-572-00
 7000-3-5CR-00

VIEW A-A



OPTIONAL LIP SHOWN

KENDALL HOWARD

SIZE	DWG. NO.	REV
A	5200-3-420--00 PD	A
SCALE: 1:8	WEIGHT (lbs): 9.71	SHEET 2 OF 2

