



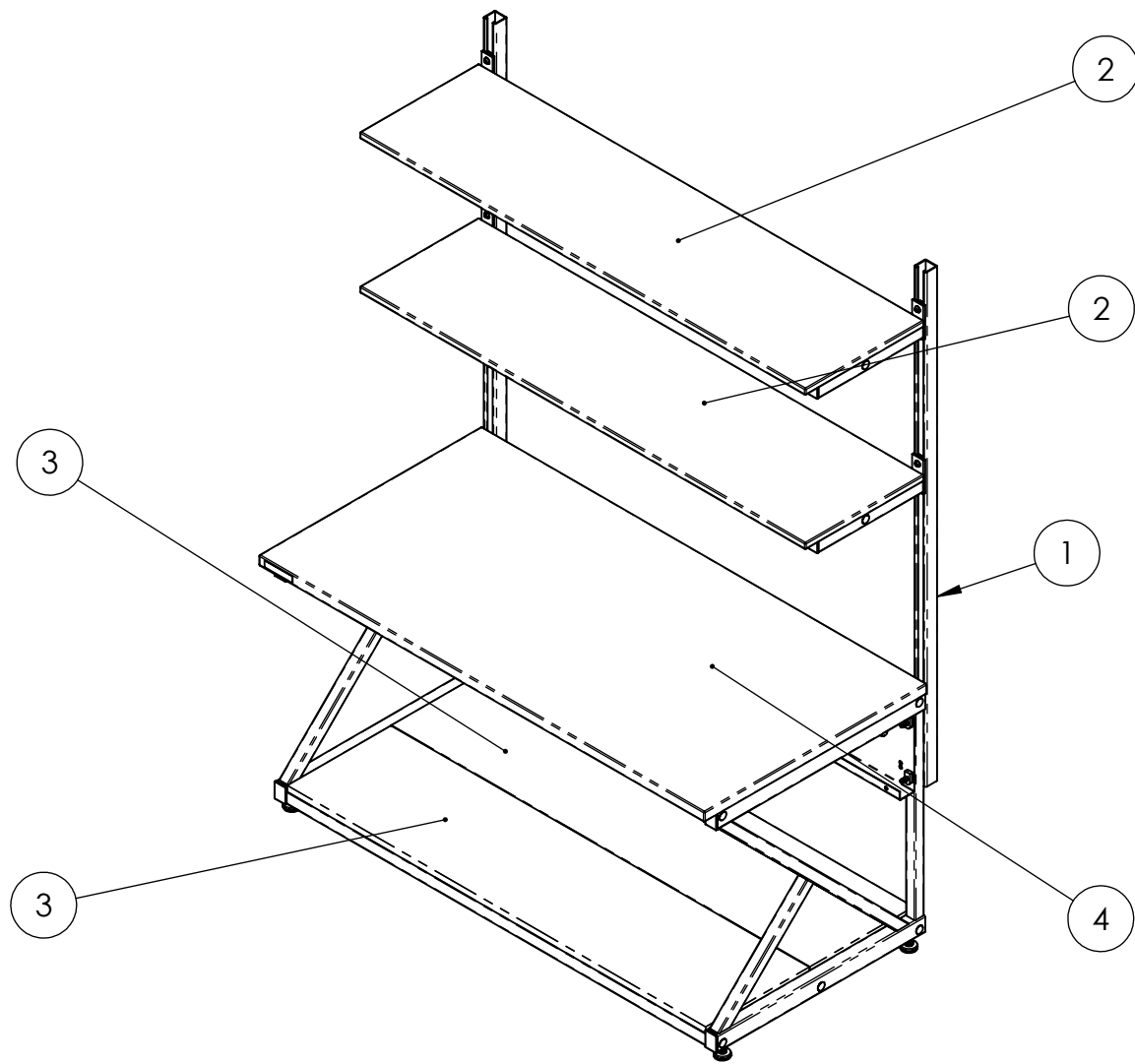
6		5		4			3		2			1
SKU NUMBER	SKU DESCRIPTION	FRAME PART NUMBER VARIABLE A	FRAME DESCRIPTION VARIABLE B	UPPER SHELF PART NUMBER VARIABLE C	UPPER SHELF DESCRIPTION VARIABLE D	UPPER SHELF QTY VARIABLE E	LOWER SHELF PART NUMBER VARIABLE F	LOWER SHELF DESCRIPTION VARIABLE G	LOWER SHELF QTY VARIABLE H	WORKSURFACE PART NUMBER VARIABLE J	WORKSURFACE DESCRIPTION VARIABLE K	HARDWARE QTY VARIABLE L
5000-3-100-60	PERFORMANCE 60INCH, SERIES 100- FOLKSTONE	5000-3-FRAME-60 100 SERIES	COMMON FRAME ASSEMBLY, 100 SERIES-60 PERFORMANCE	A-2920	UPPER SHELF, 16 X 60 FOLKSTONE-PERFORMANCE	2	A-2922	LOWER SHELF, 14 X 56.38 FOLKSTONE-PERFORMANCE	1	A-2924	WORKSURFACE, 30 X 60 FOLKSTONE-PERFORMANCE	15
5000-3-104-60	PERFORMANCE 60INCH, SERIES 104- AFRICAN MAHOGANY	5000-3-FRAME-60 100 SERIES	COMMON FRAME ASSEMBLY, 100 SERIES-60 PERFORMANCE	A-2921	UPPER SHELF, 16 X 60 AFRICAN MAHOGANY-PERFORMANCE	2	A-2923	LOWER SHELF, 14X56.38 AFRICAN MAHOGANY-PERFORMANCE	1	A-2925	WORKSURFACE, 30 X 60 AFRICAN MAHOGANY-PERFORMANCE	15
5000-3-200-60	PERFORMANCE 60INCH, SERIES 200- FOLKSTONE	5000-3-FRAME-60 200 SERIES	COMMON FRAME ASSEMBLY, 200 SERIES-60 PERFORMANCE	A-2920	UPPER SHELF, 16 X 60 FOLKSTONE-PERFORMANCE	2	A-2922	LOWER SHELF, 14 X 56.38 FOLKSTONE-PERFORMANCE	2	A-2924	WORKSURFACE, 30 X 60 FOLKSTONE-PERFORMANCE	18
5000-3-204-60	PERFORMANCE 60INCH, SERIES 204- AFRICAN MAHOGANY	5000-3-FRAME-60 200 SERIES	COMMON FRAME ASSEMBLY, 200 SERIES-60 PERFORMANCE	A-2921	UPPER SHELF, 16 X 60 AFRICAN MAHOGANY-PERFORMANCE	2	A-2923	LOWER SHELF, 14X56.38 AFRICAN MAHOGANY-PERFORMANCE	2	A-2925	WORKSURFACE, 30 X 60 AFRICAN MAHOGANY-PERFORMANCE	18
5000-3-300-60	PERFORMANCE 60INCH, SERIES 300- FOLKSTONE	5000-3-FRAME-60 300 SERIES	COMMON FRAME ASSEMBLY, 300 SERIES-60 PERFORMANCE	NA	NA	NA	A-2922	LOWER SHELF, 14 X 56.38 FOLKSTONE-PERFORMANCE	2	A-2924	WORKSURFACE, 30 X 60 FOLKSTONE-PERFORMANCE	12
5000-3-304-60	PERFORMANCE 60INCH, SERIES 304- AFRICAN MAHOGANY	5000-3-FRAME-60 300 SERIES	COMMON FRAME ASSEMBLY, 300 SERIES-60 PERFORMANCE	NA	NA	NA	A-2923	LOWER SHELF, 14X56.38 AFRICAN MAHOGANY-PERFORMANCE	2	A-2925	WORKSURFACE, 30 X 60 AFRICAN MAHOGANY-PERFORMANCE	12
5000-3-400-60	PERFORMANCE 60INCH, SERIES 400- FOLKSTONE	5000-3-FRAME-60 400 SERIES	COMMON FRAME ASSEMBLY, 400 SERIES-60 PERFORMANCE	NA	NA	NA	A-2922	LOWER SHELF, 14 X 56.38 FOLKSTONE-PERFORMANCE	1	A-2924	WORKSURFACE, 30 X 60 FOLKSTONE-PERFORMANCE	9
5000-3-404-60	PERFORMANCE 60INCH, SERIES 404- AFRICAN MAHOGANY	5000-3-FRAME-60 400 SERIES	COMMON FRAME ASSEMBLY, 400 SERIES-60 PERFORMANCE	NA	NA	NA	A-2923	LOWER SHELF, 14X68.38 AFRICAN MAHOGANY-PERFORMANCE	1	A-2925	WORKSURFACE, 30 X 60 AFRICAN MAHOGANY-PERFORMANCE	9

NOTE:
1. THIS DOCUMENT DEFINES A COMMON 60" PERFORMANCE SKU. THIS DOCUMENT IS NOT ASSIGNED A KENDALL HOWARD PART NUMBER AND IS CONSIDERED UNCONTROLLED. FOR BOM INFORMATION SEE SHEET 2.

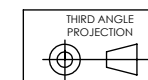
173	Initial Release	BS	12/14/2023	BS
ECO No:	Description:	By:	Date:	App By:

KENDALL HOWARD CONFIDENTIAL THE INFORMATION CONTAINED IN THIS DRAWING IS THE SOLE PROPERTY OF KENDALL HOWARD. ANY REPRODUCTION IN PART OR AS A WHOLE WITHOUT THE WRITTEN PERMISSION OF KENDALL HOWARD IS STRICTLY PROHIBITED.	UNLESS OTHERWISE SPECIFIED, ALL DIMENSIONS ARE IN INCHES. TOLERANCES: FRACTIONAL: ±1/8 ANGULAR: ±1° TWO PLACE DECIMAL: ±.03 THREE PLACE DECIMAL: ±.010 HOLE: ±.005	APPROVAL		DATE	 TITLE: COMMON SKU ASSEMBLY- 60 PERFORMANCE	
		DRAWN	BS	10/06/2023		
		DESIGN	BS	12/14/2023		
		ENG APPR				
MANUFACTURING COMMENTS:		MFG APPR			LEGACY Part Number:	
MATERIAL: SEE BOM SURFACE AREA (in²): NA FINISH ID: NA FINISH DESCRIPTION: NA		CLASSIFICATION: Technical Furniture				
DO NOT SCALE DRAWING				<small>INTERPRET DIMENSIONS AND TOLERANCES PER ASME Y14.5-2009</small>	SIZE DWG. NO. REV B 5000-3-SKU-60 B	
				SCALE: 1:24	WEIGHT (lbs): 230.73	SHEET 1 OF 6

ITEM NO.	PART NUMBER	DESCRIPTION	QTY.
1	SEE VARIABLE A	SEE VARIABLE B	1
2	SEE VARIABLE C	SEE VARIABLE D	SEE VARIABLE E
3	SEE VARIABLE F	SEE VARIABLE G	SEE VARIABLE H
4	SEE VARIABLE J	SEE VARIABLE K	1
5	hw-phs-006	SCREW, PAN, PHILLIPS, 1/4-20 X .500	SEE VARIABLE L



**COMMON SKU
60"X30" PERFORMANCE LAN STATION
SHOWN**



INTERPRET DIMENSIONS AND TOLERANCES PER ASME Y14.5-2009

KENDALL HOWARD

SIZE	DWG. NO.	REV
B	5000-3-SKU-60	B
SCALE: 1:24	WEIGHT (lbs): 230.73	SHEET 2 OF 6

6

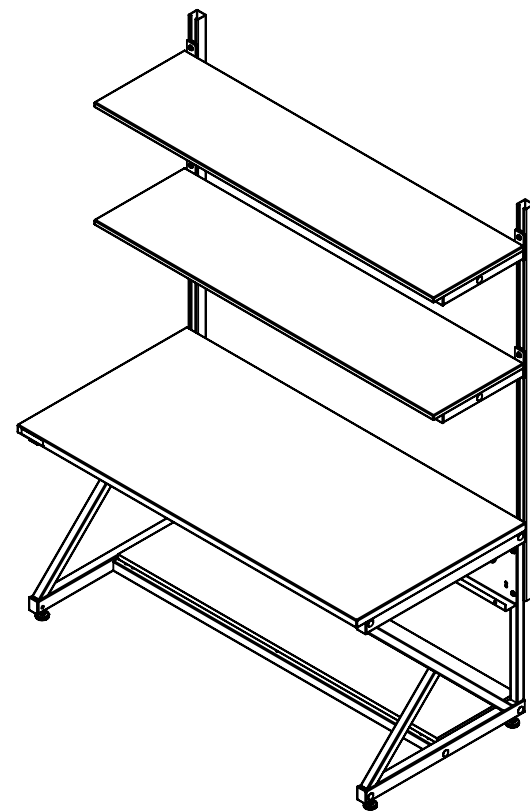
5

4

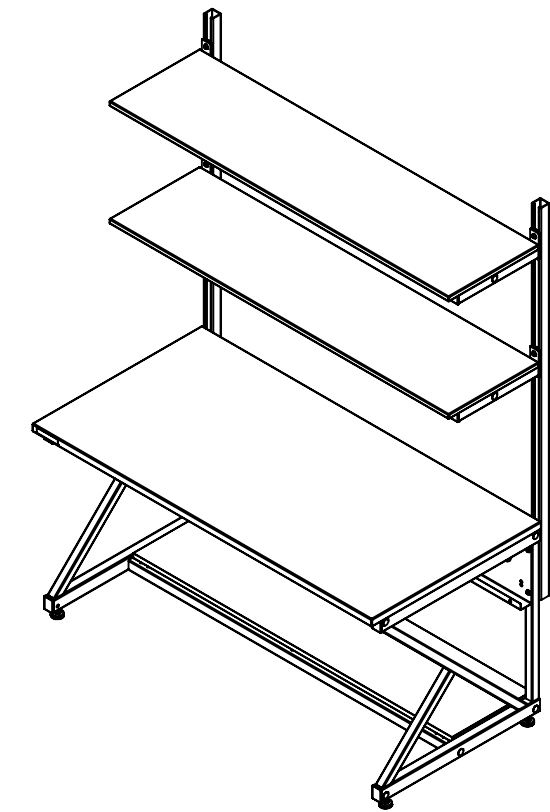
3

2

1



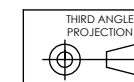
SKU 5000-3-100-60
PERFORMANCE 60INCH,
SERIES 100- FOLKSTONE
SHOWN



SKU 5000-3-104-60
PERFORMANCE 60INCH,
SERIES 100- AFRICAN MAHOGANY
SHOWN

KENDALL HOWARD 

SIZE	DWG. NO.	REV
B	5000-3-SKU-60	B
SCALE: 1:24		WEIGHT (lbs): 230.73
		SHEET 3 OF 6



INTERPRET DIMENSIONS
AND TOLERANCES PER
ASME Y14.5-2009

6

5

4

3

2

1

E
D
C
B
A

E
D
C
B
A

6

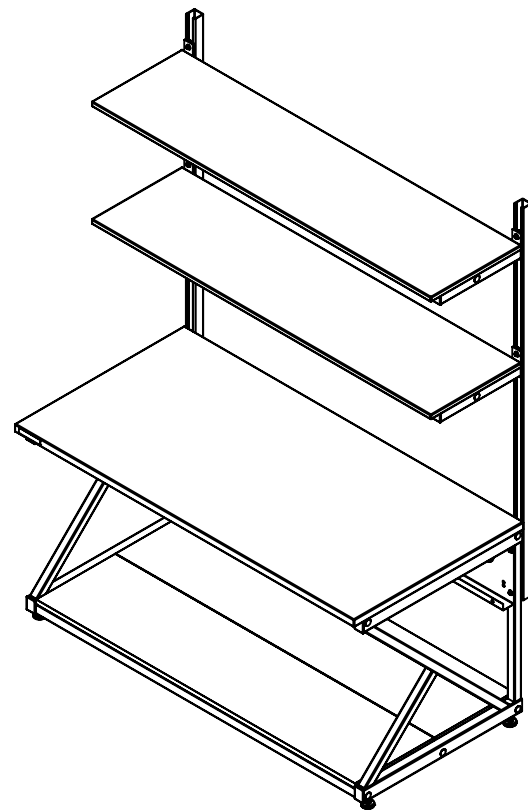
5

4

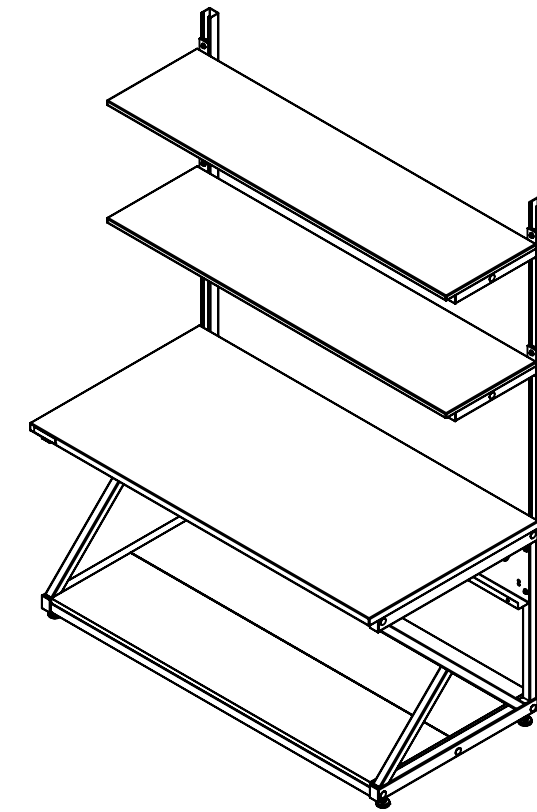
3

2

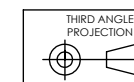
1



**SKU 5000-3-200-60
PERFORMANCE 60INCH,
SERIES 200- FOLKSTONE
SHOWN**



**SKU 5000-3-204-60
PERFORMANCE 60INCH,
SERIES 200- AFRICAN MAHOGANY
SHOWN**



THIRD ANGLE
PROJECTION

INTERPRET DIMENSIONS
AND TOLERANCES PER
ASME Y14.5-2009

KENDALL HOWARD 

SIZE	DWG. NO.	REV
------	----------	-----

B	5000-3-SKU-60	B
----------	---------------	----------

SCALE: 1:24	WEIGHT (lbs): 230.73	SHEET 4 OF 6
-------------	----------------------	--------------

6

5

4

3

2

1

E

E

D

D

C

C

B

B

A

A

6

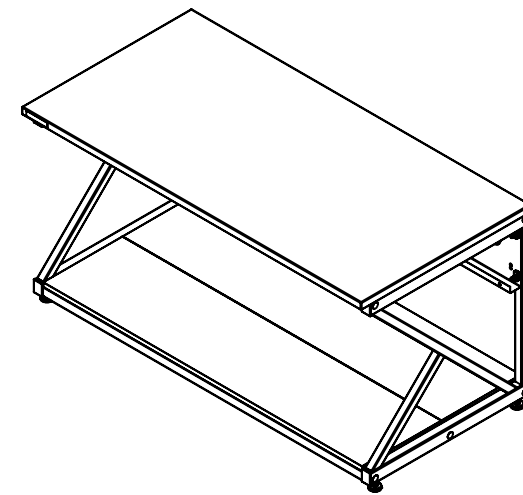
5

4

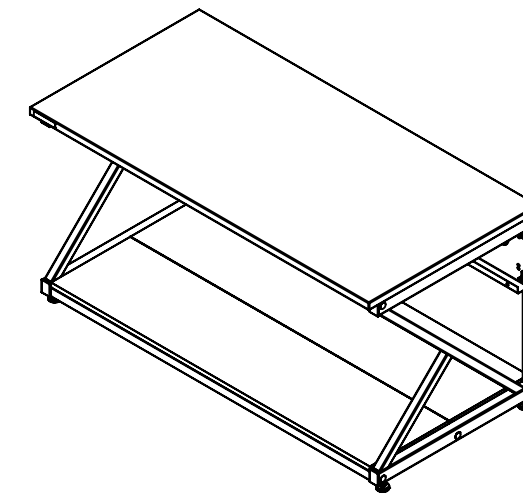
3

2

1



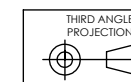
**SKU 5000-3-300-60
PERFORMANCE 60INCH,
SERIES 300- FOLKSTONE
SHOWN**



**SKU 5000-3-304-60
PERFORMANCE 60INCH,
SERIES 300- AFRICAN MAHOGANY
SHOWN**

KENDALL HOWARD 

SIZE	DWG. NO.	REV
B	5000-3-SKU-60	B
SCALE: 1:24		WEIGHT (lbs): 230.73
		SHEET 5 OF 6



INTERPRET DIMENSIONS
AND TOLERANCES PER
ASME Y14.5-2009

6

5

4

3

2

1

E

E

D

D

C

C

B

B

A

A

6

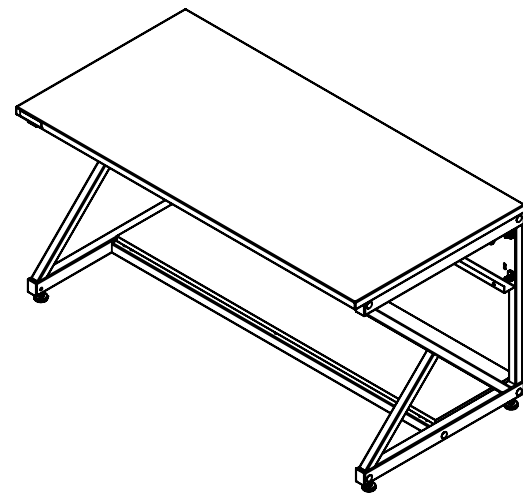
5

4

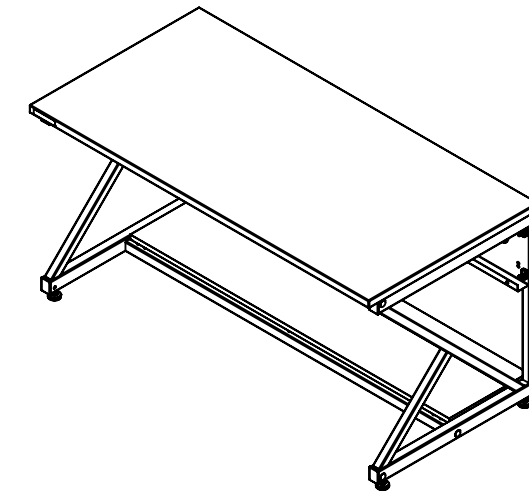
3

2

1



**SKU 5000-3-400-60
PERFORMANCE 60INCH,
SERIES 400- FOLKSTONE
SHOWN**



**SKU 5000-3-404-60
PERFORMANCE 60INCH,
SERIES 400- AFRICAN MAHOGANY
SHOWN**

KENDALL HOWARD 

SIZE	DWG. NO.	REV
B	5000-3-SKU-60	B



THIRD ANGLE
PROJECTION

INTERPRET DIMENSIONS
AND TOLERANCES PER
ASME Y14.5-2009

SCALE: 1:24	WEIGHT (lbs): 230.73	SHEET 6 OF 6
-------------	----------------------	--------------

6

5

4

3

2

1

E

E

D

D

C

C

B

B

A

A