

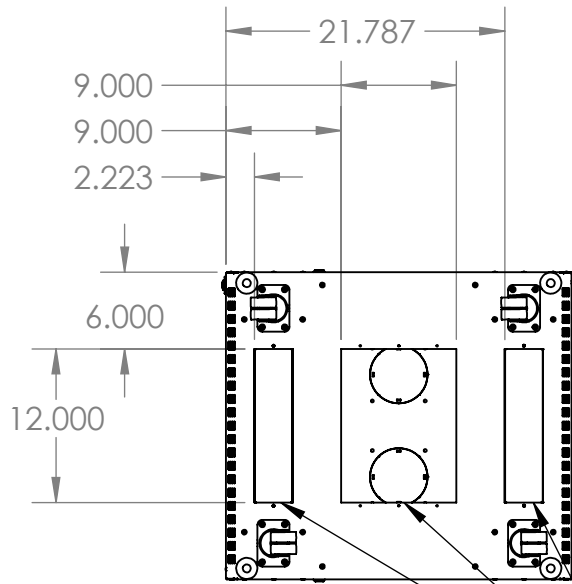
PROPRIETARY AND CONFIDENTIAL
THE INFORMATION CONTAINED IN THIS DRAWING IS THE SOLE PROPERTY OF KENDALL HOWARD. ANY REPRODUCTION IN PART OR AS A WHOLE WITHOUT THE WRITTEN PERMISSION OF KENDALL HOWARD IS STRICTLY PROHIBITED.

WEB PRINT	
NEXT ASSY	USED ON
APPLICATION	

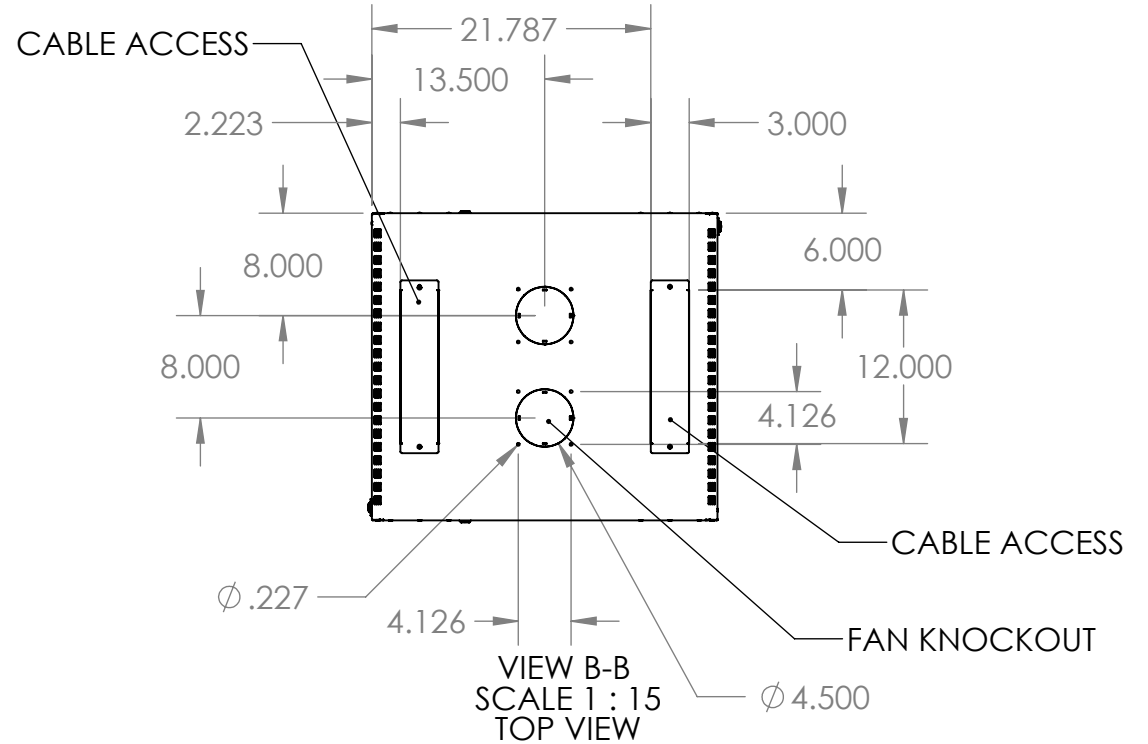
UNLESS OTHERWISE SPECIFIED: DIMENSIONS ARE IN INCHES TOLERANCES: FRACTIONAL ± 1/8 ANGULAR: BEND ± 1 DEGREE TWO PLACE DECIMAL ± .03 THREE PLACE DECIMAL ± .01				
Surface Area				
MATERIAL				
FINISH				
DO NOT SCALE DRAWING				

	NAME	DATE
DRAWN		
CHECKED		
ENG APPR.		
MFG APPR.		
Q.A.		
COMMENTS:		

KENDALL HOWARD		
TITLE: 42U LINIER AV SOLID FRONT/ VENTED REAR		
SIZE	DWG. NO.	REV
A	3106-3-024-42 WP	
SCALE: 1:20	WEIGHT: 150.10	SHEET 1 OF 2



VIEW A-A
SCALE 1 : 15
BOTTOM VIEW



VIEW B-B
SCALE 1 : 15
TOP VIEW

PROPRIETARY AND CONFIDENTIAL
THE INFORMATION CONTAINED IN THIS DRAWING IS THE SOLE PROPERTY OF KENDALL HOWARD. ANY REPRODUCTION IN PART OR AS A WHOLE WITHOUT THE WRITTEN PERMISSION OF KENDALL HOWARD IS STRICTLY PROHIBITED.

WEB PRINT

UNLESS OTHERWISE SPECIFIED: DIMENSIONS ARE IN INCHES TOLERANCES: FRACTIONAL $\pm 1/8$ ANGULAR: BEND ± 1 DEGREE TWO PLACE DECIMAL $\pm .03$ THREE PLACE DECIMAL $\pm .01$		NAME	DATE
Surface Area		DRAWN	
MATERIAL		CHECKED	
FINISH		ENG APPR.	
NEXT ASSY	USED ON	MFG APPR.	
APPLICATION		Q.A.	
DO NOT SCALE DRAWING		COMMENTS:	

KENDALL HOWARD

TITLE:
**42U LINIER AV SOLID
FRONT/ VENTED REAR**

SIZE DWG. NO. REV
A 3106-3-024-42 WP

SCALE: 1:20 WEIGHT: 150.10 SHEET 2 OF 2