

- NOTE:
1. 19" EIA RACK MOUNT COMPLIANT.
  2. RAILS ACCEPT 3/8" CAGENUT.
  3. BLACK POWDER COAT.

VENTING FRONT, SIDES AND REAR, TOP AND BOTTOM

UNLESS OTHERWISE SPECIFIED:  
 DIMENSIONS ARE IN INCHES  
 TOLERANCES:  
 FRACTIONAL ± 1/8  
 ANGULAR: BEND ± 1 DEGREE  
 TWO PLACE DECIMAL ± .03  
 THREE PLACE DECIMAL ± .01  
 Surface Area

<b>WEB PRINT</b>	
NEXT ASSY	USED ON
APPLICATION	

MATERIAL	NAME	DATE
FINISH		
DO NOT SCALE DRAWING		

DRAWN	NAME	DATE
CHECKED		
ENG APPR.		
MFG APPR.		
Q.A.		
COMMENTS:		

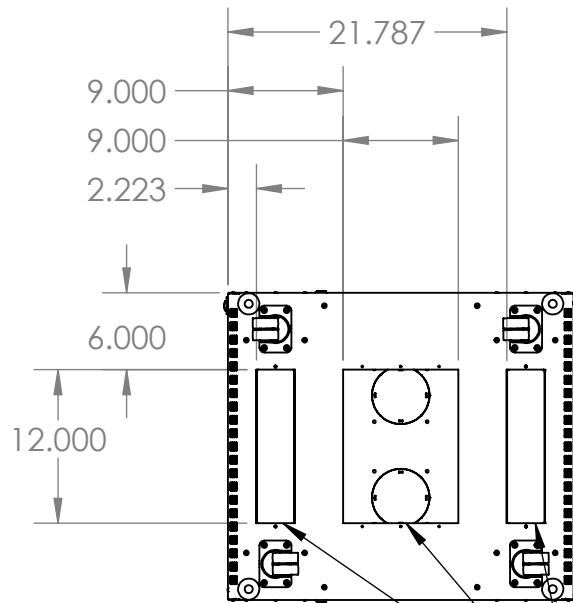
**KENDALL HOWARD**

TITLE:  
**42U LINIER AV GLASS FRONT/ GLASS REAR**

SIZE	DWG. NO.	REV
<b>A</b>	<b>3103-3-024-42 WP</b>	

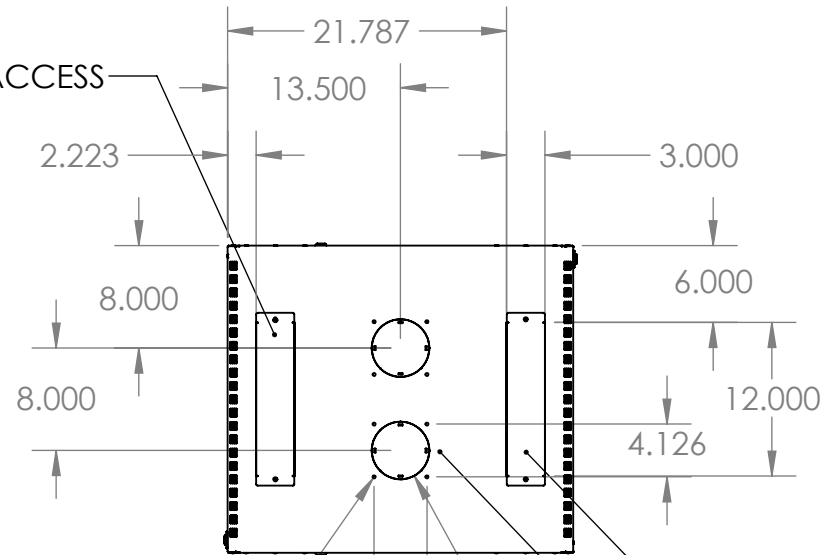
SCALE: 1:20 WEIGHT: 147.45 SHEET 1 OF 2

**PROPRIETARY AND CONFIDENTIAL**  
 THE INFORMATION CONTAINED IN THIS DRAWING IS THE SOLE PROPERTY OF KENDALL HOWARD. ANY REPRODUCTION IN PART OR AS A WHOLE WITHOUT THE WRITTEN PERMISSION OF KENDALL HOWARD IS STRICTLY PROHIBITED.



VIEW A-A  
SCALE 1 : 15  
BOTTOM VIEW

CABLE ACCESS



VIEW B-B  
SCALE 1 : 15  
TOP VIEW

Ø 4.500

Ø .227

CABLE ACCESS

FAN KNOCKOUT

UNLESS OTHERWISE SPECIFIED:  
DIMENSIONS ARE IN INCHES  
TOLERANCES:  
FRACTIONAL ± 1/8  
ANGULAR: BEND ± 1 DEGREE  
TWO PLACE DECIMAL ± .03  
THREE PLACE DECIMAL ± .01

Surface Area

MATERIAL

FINISH

DO NOT SCALE DRAWING

**WEB PRINT**

NEXT ASSY

USED ON

APPLICATION

NAME DATE

DRAWN

CHECKED

ENG APPR.

MFG APPR.

Q.A.

COMMENTS:

**KENDALL HOWARD**

TITLE:

**42U LINIER AV GLASS  
FRONT/ GLASS REAR**

SIZE DWG. NO.

**A 3103-3-024-42 WP**

REV

SCALE: 1:20 WEIGHT: 147.45 SHEET 2 OF 2

**PROPRIETARY AND CONFIDENTIAL**  
THE INFORMATION CONTAINED IN THIS  
DRAWING IS THE SOLE PROPERTY OF  
KENDALL HOWARD. ANY REPRODUCTION  
IN PART OR AS A WHOLE WITHOUT THE  
WRITTEN PERMISSION OF KENDALL HOWARD  
IS STRICTLY PROHIBITED.