

UNLESS OTHERWISE SPECIFIED:
DIMENSIONS ARE IN INCHES
TOLERANCES:
FRACTIONAL ± 1/8
ANGULAR: BEND ± 1 DEGREE
TWO PLACE DECIMAL ± .03
THREE PLACE DECIMAL ± .01

| | NAME | DATE |
|-----------|------|------|
| DRAWN | | |
| CHECKED | | |
| ENG APPR. | | |
| MFG APPR. | | |
| Q.A. | | |
| COMMENTS: | | |

KENDALL HOWARD

TITLE:
37U LINIER FS GLASS FRONT/ VENTED REAR

PROPRIETARY AND CONFIDENTIAL
THE INFORMATION CONTAINED IN THIS DRAWING IS THE SOLE PROPERTY OF KENDALL HOWARD. ANY REPRODUCTION IN PART OR AS A WHOLE WITHOUT THE WRITTEN PERMISSION OF KENDALL HOWARD IS STRICTLY PROHIBITED.

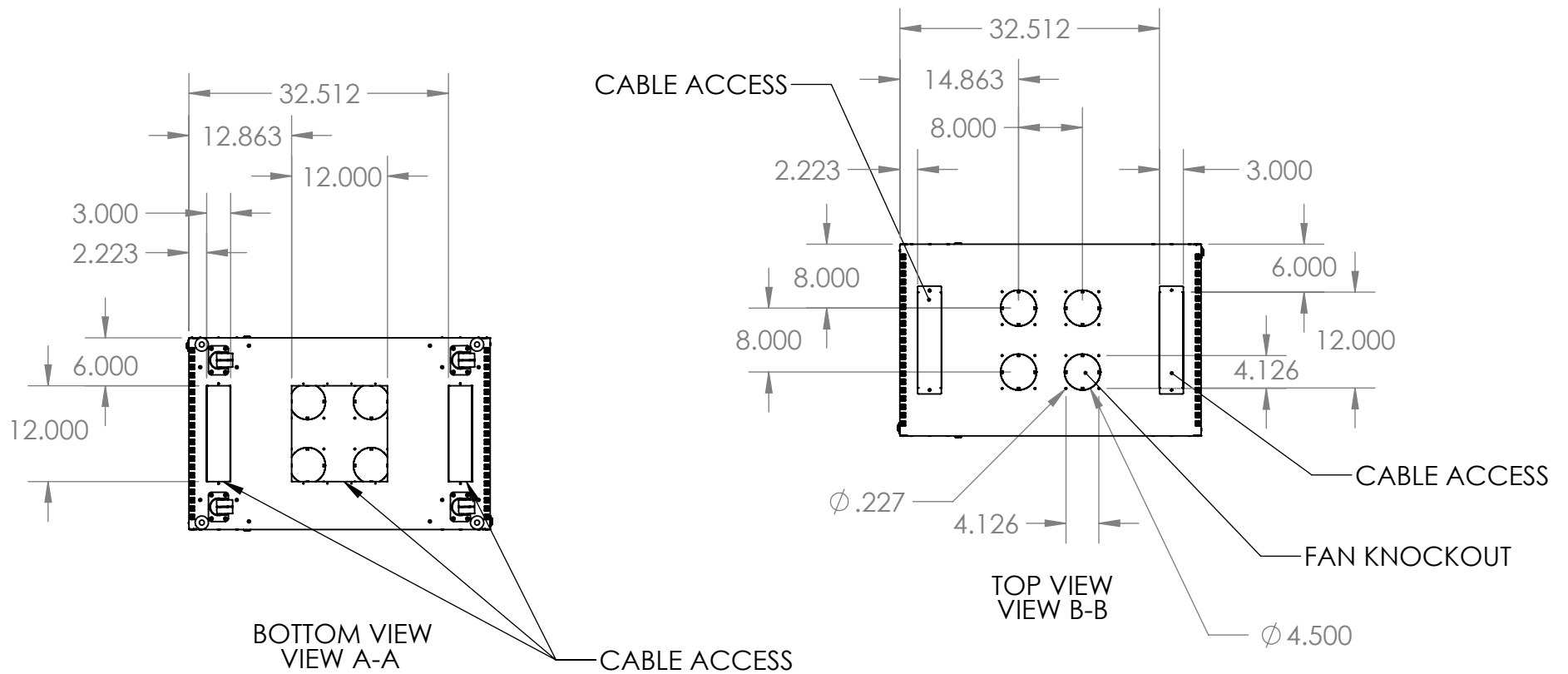
| | |
|------------------|---------|
| WEB PRINT | |
| NEXT ASSY | USED ON |
| APPLICATION | |

MATERIAL

FINISH

DO NOT SCALE DRAWING

| | | |
|-------------|-------------------------|--------------|
| SIZE | DWG. NO. | REV |
| A | 3100-3-001-37 WP | |
| SCALE: 1:20 | WEIGHT: 160.30 | SHEET 1 OF 2 |



PROPRIETARY AND CONFIDENTIAL
 THE INFORMATION CONTAINED IN THIS DRAWING IS THE SOLE PROPERTY OF KENDALL HOWARD. ANY REPRODUCTION IN PART OR AS A WHOLE WITHOUT THE WRITTEN PERMISSION OF KENDALL HOWARD IS STRICTLY PROHIBITED.

| | |
|------------------|---------|
| WEB PRINT | |
| NEXT ASSY | USED ON |
| APPLICATION | |

UNLESS OTHERWISE SPECIFIED:
 DIMENSIONS ARE IN INCHES
 TOLERANCES:
 FRACTIONAL $\pm 1/8$
 ANGULAR: BEND ± 1 DEGREE
 TWO PLACE DECIMAL $\pm .03$
 THREE PLACE DECIMAL $\pm .01$

Surface Area

MATERIAL

FINISH

DO NOT SCALE DRAWING

| | NAME | DATE |
|-----------|------|------|
| DRAWN | | |
| CHECKED | | |
| ENG APPR. | | |
| MFG APPR. | | |
| Q.A. | | |
| COMMENTS: | | |

KENDALL HOWARD

TITLE:
37U LINIER FS GLASS FRONT/ VENTED REAR

| | | |
|----------|-------------------------|-----|
| SIZE | DWG. NO. | REV |
| A | 3100-3-001-37 WP | |

SCALE: 1:20 WEIGHT: 160.30 SHEET 2 OF 2