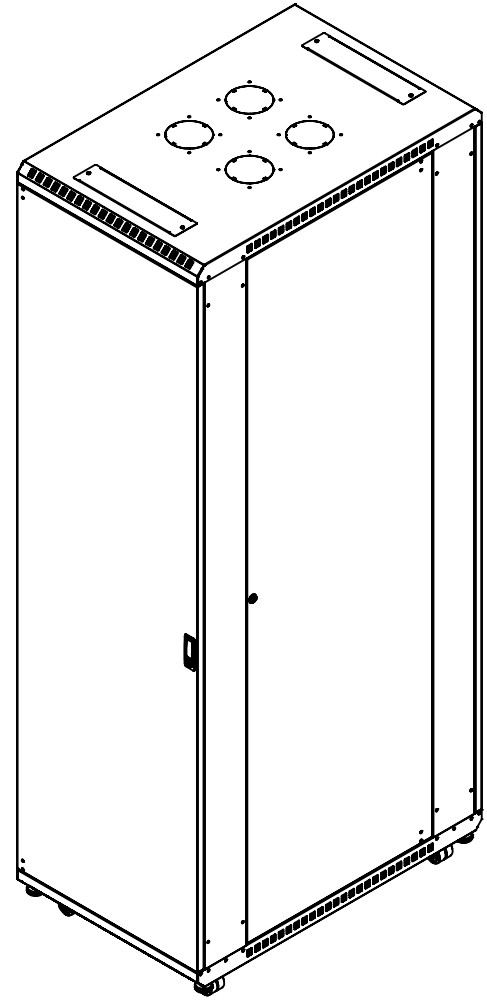
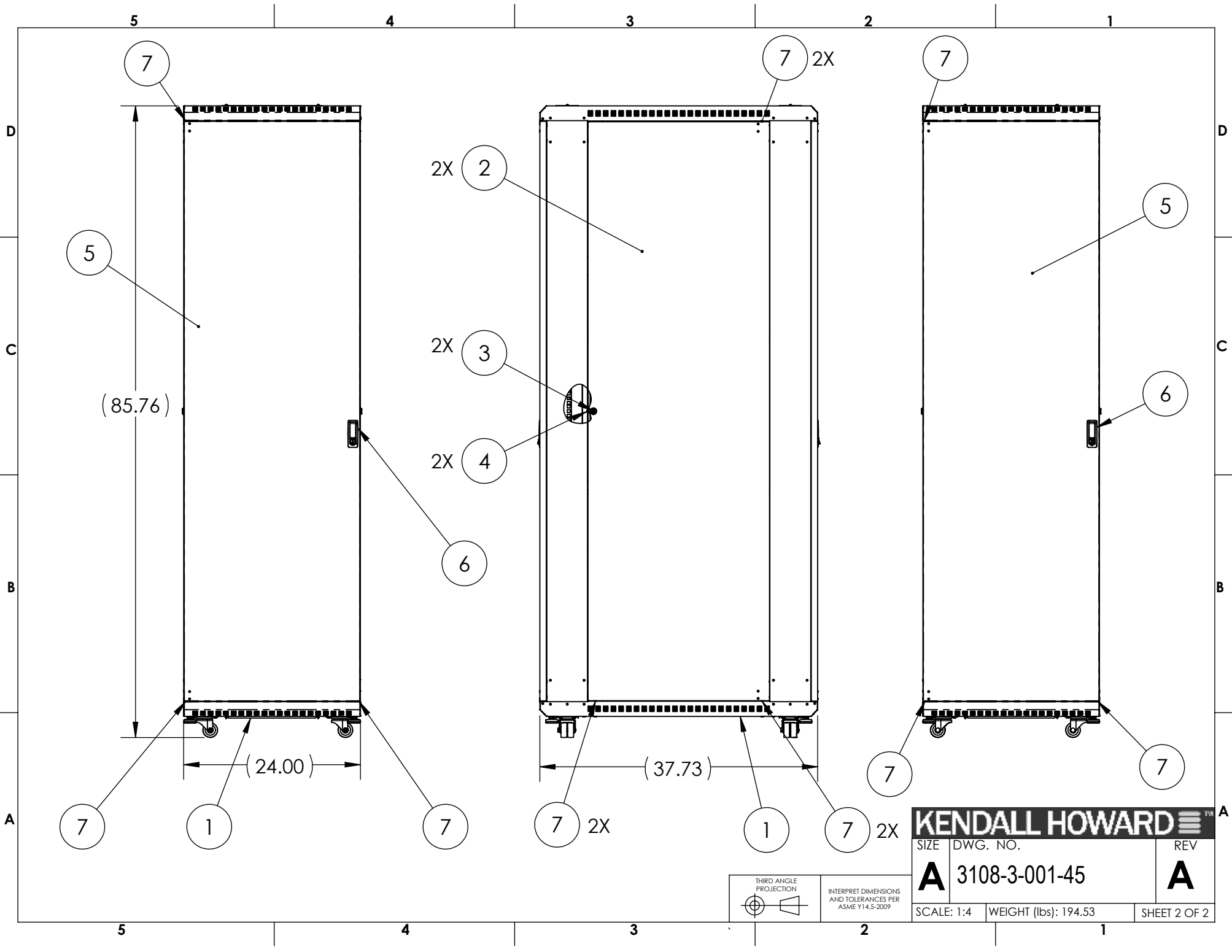


ITEM NO.	PART NUMBER	DESCRIPTION	QTY.
1	K102937	COMMON FRAME- 45U LINIER 36 INCH DEEP	1
2	K102935	SIDE DOOR ASSEMBLY - 45U LINIER 36 INCH DEEP	2
3	cp-1195	LOCK- 7/8" BARREL	2
4	cp-1197	CAM, LOCK- .575 X .913	2
5	K102932	SOLID DOOR ASSY- 45U LINIER FS	2
6	cp-1020	HANDLE, COMPRESSION- LOCKING	2
7	cp-1024	BEARING, HINGE- PLASTIC	12



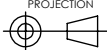
<b>KENDALL HOWARD CONFIDENTIAL</b> THE INFORMATION CONTAINED IN THIS DRAWING IS THE SOLE PROPERTY OF KENDALL HOWARD. ANY REPRODUCTION IN PART OR AS A WHOLE WITHOUT THE WRITTEN PERMISSION OF KENDALL HOWARD IS STRICTLY PROHIBITED.	<b>UNLESS OTHERWISE SPECIFIED, ALL DIMENSIONS ARE IN INCHES.</b>		<b>APPROVAL</b>		<b>DATE</b>
	TOLERANCES: FRACTIONAL: ±1/8 ANGULAR: ±1° TWO PLACE DECIMAL: ±.03 THREE PLACE DECIMAL: ±.010 HOLE: ±.005		DRAWN BS	11/14/2023	<b>KENDALL HOWARD</b>
	<b>MATERIAL:</b> SEE BOM		DESIGN BS	11/16/2023	
	<b>SURFACE AREA (in²):</b> NA		ENG APPR		
<b>FINISH ID:</b> NA		<b>LEGACY Part Number:</b>		<b>TITLE:</b>	
<b>FINISH DESCRIPTION:</b> NA		<b>CLASSIFICATION:</b>		<b>45U LN FS- SOLID DOOR / SOLID DOOR- 36 INCH DEEP</b>	
<b>MANUFACTURING COMMENTS:</b>		<b>DO NOT SCALE DRAWING</b>		<b>SIZE</b> DWG. NO. <b>REV</b>	
				<b>A 3108-3-001-45 A</b>	
		INTERPRET DIMENSIONS AND TOLERANCES PER ASME Y14.5-2009		SCALE: 1:4 WEIGHT (lbs): 194.53 SHEET 1 OF 2	

200	Initial Release	BS	11/16/2023	BS
<b>ECO No:</b>	<b>Description:</b>	<b>By:</b>	<b>Date:</b>	<b>App By:</b>



**KENDALL HOWARD** 

SIZE	DWG. NO.	REV
<b>A</b>	3108-3-001-45	<b>A</b>
SCALE: 1:4	WEIGHT (lbs): 194.53	SHEET 2 OF 2

THIRD ANGLE PROJECTION 

INTERPRET DIMENSIONS AND TOLERANCES PER ASME Y14.5-2009