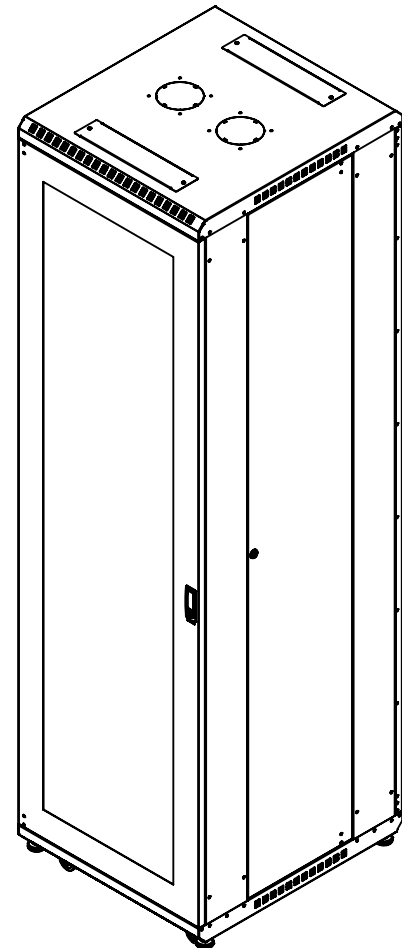


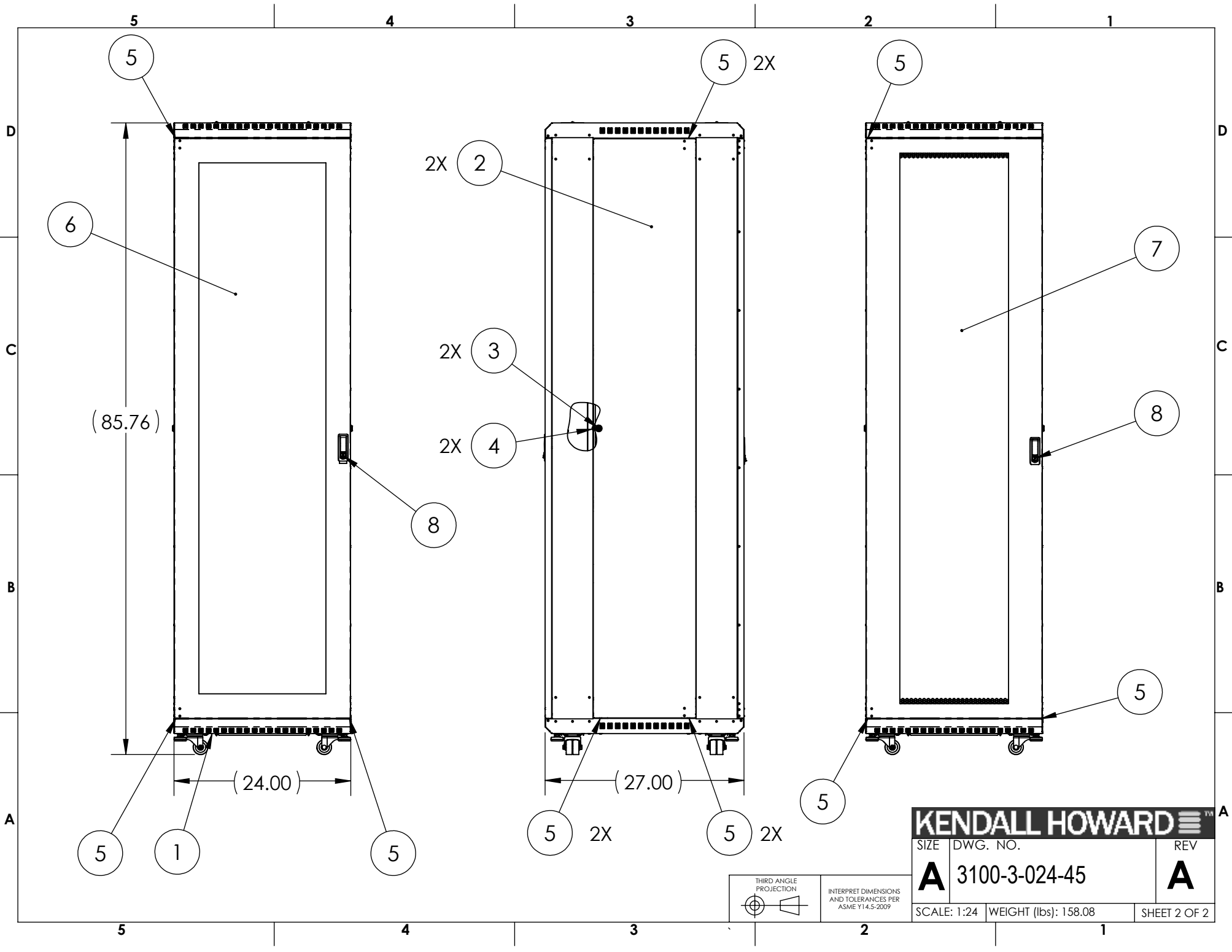
ITEM NO.	PART NUMBER	DESCRIPTION	QTY.
1	K102946	COMMON FRAME- 45U LINIER 24 INCH DEEP	1
2	K102943	SIDE DOOR ASSEMBLY- 45U LINIER 24 INCH DEEP	2
3	cp-1195	LOCK- 7/8" BARREL	2
4	cp-1197	CAM, LOCK- .575 X .913	2
5	cp-1024	BEARING, HINGE- PLASTIC	12
6	K102929	GLASS DOOR ASSY- 45U LINIER FS	1
7	K102942	VENTED DOOR ASSY- 45U LINIER FS	1
8	cp-1020	HANDLE, COMPRESSION- LOCKING	2



<p>KENDALL HOWARD CONFIDENTIAL THE INFORMATION CONTAINED IN THIS DRAWING IS THE SOLE PROPERTY OF KENDALL HOWARD. ANY REPRODUCTION IN PART OR AS A WHOLE WITHOUT THE WRITTEN PERMISSION OF KENDALL HOWARD IS STRICTLY PROHIBITED.</p> <p>MANUFACTURING COMMENTS:</p>	<p>UNLESS OTHERWISE SPECIFIED, ALL DIMENSIONS ARE IN INCHES.</p> <p>TOLERANCES: FRACTIONAL: ±1/8 ANGULAR: ±1° TWO PLACE DECIMAL: ±.03 THREE PLACE DECIMAL: ±.010 HOLE: ±.005</p>	<p>APPROVAL</p> <p>DRAWN BS 11/15/2023</p> <p>DESIGN BS 11/16/2023</p> <p>ENG APPR</p> <p>MFG APPR</p>	<p>DATE</p>	
	<p>MATERIAL: SEE BOM</p>	<p>LEGACY Part Number:</p>	<p>KENDALL HOWARD</p>	
	<p>SURFACE AREA (in²): NA</p>	<p>CLASSIFICATION:</p>	<p>TITLE: 45U LN FS- GLASS DOOR / VENTED DOOR- 24 INCH DEEP</p>	
	<p>FINISH ID: NA</p>	<p>THIRD ANGLE PROJECTION</p>	<p>SCALE: 1:24</p>	<p>WEIGHT (lbs): 158.08</p>
	<p>FINISH DESCRIPTION: NA</p>	<p>INTERPRET DIMENSIONS AND TOLERANCES PER ASME Y14.5-2009</p>	<p>DO NOT SCALE DRAWING</p>	<p>SHEET 1 OF 2</p>

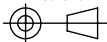
<p>ECO No: 203</p>		<p>Initial Release</p>		<p>BS</p>	<p>11/16/2023</p>	<p>BS</p>
<p>SIZE</p>	<p>DWG. NO. A 3100-3-024-45</p>		<p>REV A</p>		<p>SCALE: 1:24</p>	

<p>ECO No:</p>	<p>Description:</p>	<p>By:</p>	<p>Date:</p>	<p>App By:</p>
----------------	---------------------	------------	--------------	----------------



KENDALL HOWARD 

SIZE	DWG. NO.	REV
A	3100-3-024-45	A
SCALE: 1:24	WEIGHT (lbs): 158.08	SHEET 2 OF 2

THIRD ANGLE PROJECTION 

INTERPRET DIMENSIONS AND TOLERANCES PER ASME Y14.5-2009