

VENTING FRONT, SIDES AND REAR, TOP AND BOTTOM

- NOTE:
1. 19" EIA RACK MOUNT COMPLIANT.
 2. RAILS ACCEPT 3/8" CAGENUT.
 3. BLACK POWDER COAT.

PROPRIETARY AND CONFIDENTIAL
 THE INFORMATION CONTAINED IN THIS DRAWING IS THE SOLE PROPERTY OF KENDALL HOWARD. ANY REPRODUCTION IN PART OR AS A WHOLE WITHOUT THE WRITTEN PERMISSION OF KENDALL HOWARD IS STRICTLY PROHIBITED.

WEB PRINT	
NEXT ASSY	USED ON
APPLICATION	

UNLESS OTHERWISE SPECIFIED:
 DIMENSIONS ARE IN INCHES
 TOLERANCES:
 FRACTIONAL $\pm 1/8$
 ANGULAR: BEND ± 1 DEGREE
 TWO PLACE DECIMAL $\pm .03$
 THREE PLACE DECIMAL $\pm .01$
 Surface Area
 MATERIAL
 FINISH
 DO NOT SCALE DRAWING

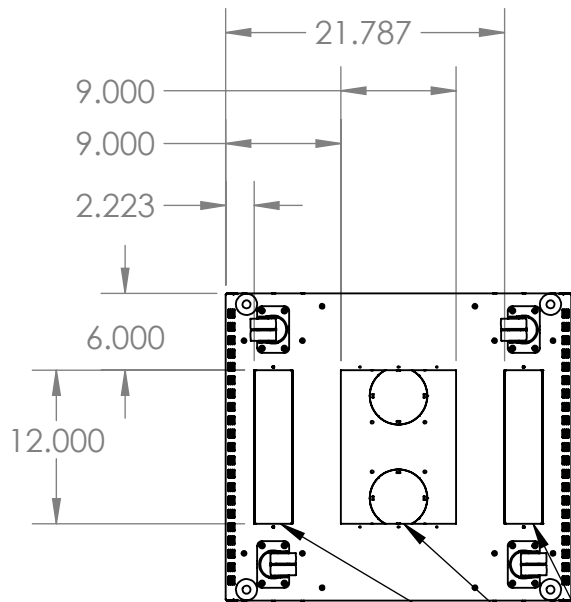
DRAWN	NAME	DATE
CHECKED		
ENG APPR.		
MFG APPR.		
Q.A.		
COMMENTS:		

KENDALL HOWARD

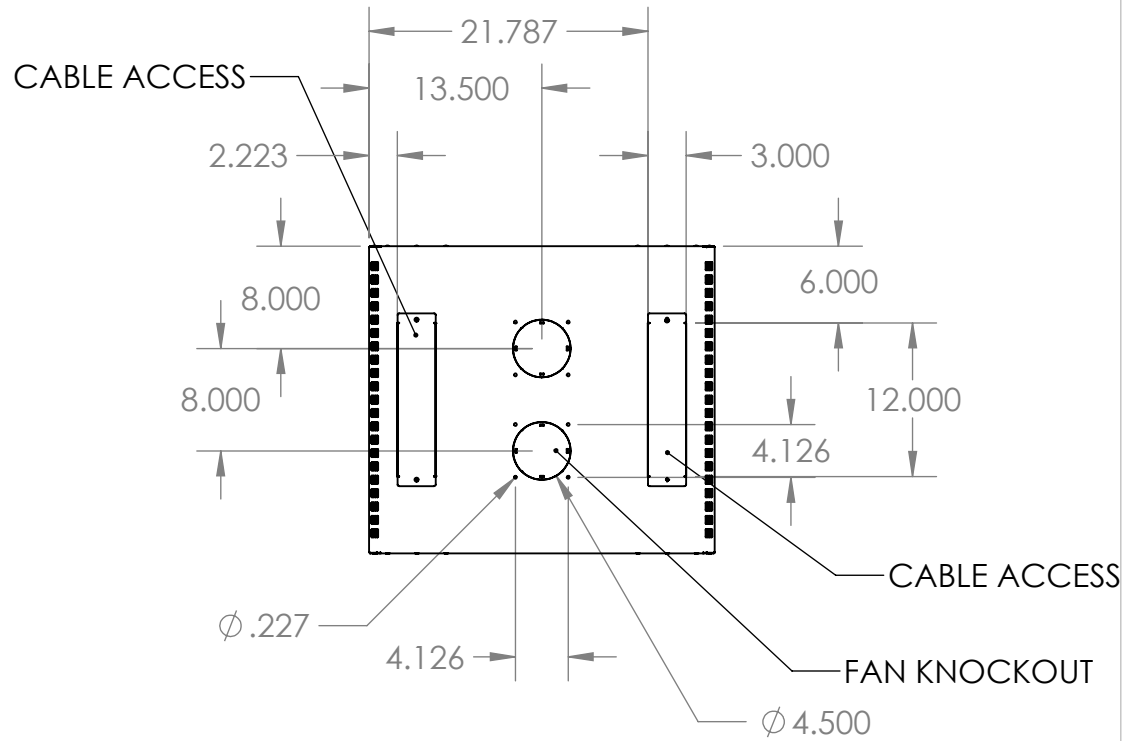
TITLE:
27U LINIER AV OPEN FRAME

SIZE	DWG. NO.	REV
A	3170-3-024-27 WP	

SCALE: 1:20 WEIGHT: 63.62 SHEET 1 OF 2



VIEW A-A
SCALE 1 : 15
BOTTOM VIEW



VIEW B-B
SCALE 1 : 15
TOP VIEW


PROPRIETARY AND CONFIDENTIAL
THE INFORMATION CONTAINED IN THIS DRAWING IS THE SOLE PROPERTY OF KENDALL HOWARD. ANY REPRODUCTION IN PART OR AS A WHOLE WITHOUT THE WRITTEN PERMISSION OF KENDALL HOWARD IS STRICTLY PROHIBITED.

WEB PRINT

NEXT ASSY		USED ON	APPLICATION
MATERIAL		FINISH	DO NOT SCALE DRAWING

UNLESS OTHERWISE SPECIFIED:
DIMENSIONS ARE IN INCHES
TOLERANCES:
FRACTIONAL $\pm 1/8$
ANGULAR: BEND ± 1 DEGREE
TWO PLACE DECIMAL $\pm .03$
THREE PLACE DECIMAL $\pm .01$

	NAME	DATE
DRAWN		
CHECKED		
ENG APPR.		
MFG APPR.		
Q.A.		
COMMENTS:		

KENDALL HOWARD 

TITLE:
27U LINIER AV OPEN FRAME

SIZE	DWG. NO.	REV
A	3170-3-024-27 WP	

SCALE: 1:20 WEIGHT: 63.62 SHEET 2 OF 2