

HINGED/
REMOVABLE
SIDE PANELS

VENTING FRONT,
SIDES AND REAR,
TOP AND BOTTOM

NOTE:

1. 19" EIA RACK MOUNT COMPLIANT.
2. RAILS ACCEPT 3/8" CAGENUT.
3. BLACK POWDER COAT.

PROPRIETARY AND CONFIDENTIAL
THE INFORMATION CONTAINED IN THIS DRAWING IS THE SOLE PROPERTY OF KENDALL HOWARD. ANY REPRODUCTION IN PART OR AS A WHOLE WITHOUT THE WRITTEN PERMISSION OF KENDALL HOWARD IS STRICTLY PROHIBITED.

WEB PRINT

NEXT ASSY	USED ON
APPLICATION	

UNLESS OTHERWISE SPECIFIED: DIMENSIONS ARE IN INCHES TOLERANCES: FRACTIONAL $\pm 1/8$ ANGULAR: BEND ± 1 DEGREE TWO PLACE DECIMAL $\pm .03$ THREE PLACE DECIMAL $\pm .01$ Surface Area
MATERIAL
FINISH
DO NOT SCALE DRAWING

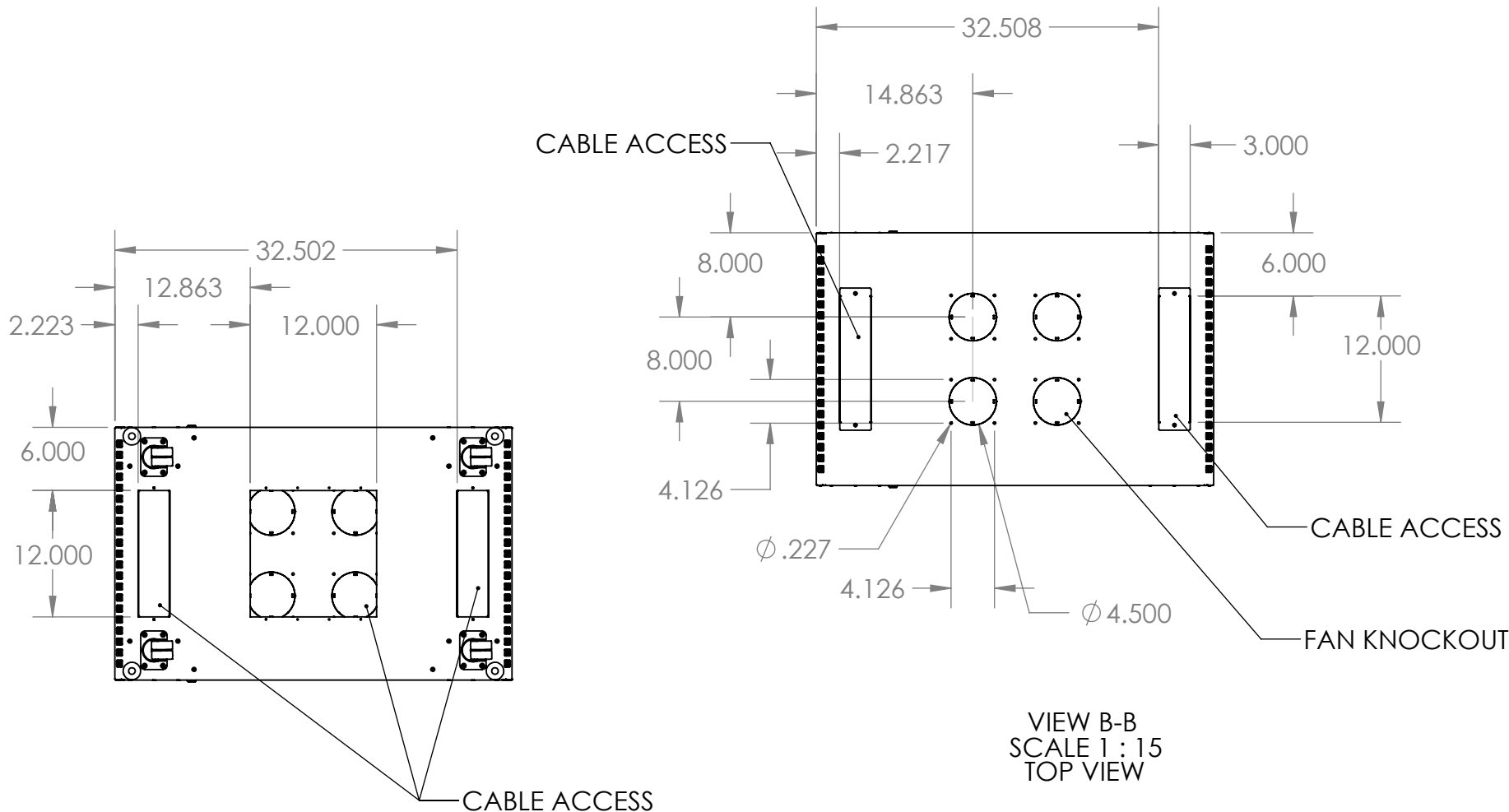
NAME	DATE
DRAWN	
CHECKED	
ENG APPR.	
MFG APPR.	
Q.A.	
COMMENTS:	

KENDALL HOWARD

TITLE:
**27U LINIER FS
NO DOORS**

SIZE	DWG. NO.	REV
A	3180-3-001-27 WP	

SCALE: 1:20 WEIGHT: 100.45 SHEET 1 OF 2



VIEW A-A
SCALE 1 : 15
BOTTOM VIEW

VIEW B-B
SCALE 1 : 15
TOP VIEW

PROPRIETARY AND CONFIDENTIAL
THE INFORMATION CONTAINED IN THIS DRAWING IS THE SOLE PROPERTY OF KENDALL HOWARD. ANY REPRODUCTION IN PART OR AS A WHOLE WITHOUT THE WRITTEN PERMISSION OF KENDALL HOWARD IS STRICTLY PROHIBITED.

WEB PRINT

NEXT ASSY		USED ON
APPLICATION		

UNLESS OTHERWISE SPECIFIED:
DIMENSIONS ARE IN INCHES
TOLERANCES:
FRACTIONAL $\pm 1/8$
ANGULAR: BEND ± 1 DEGREE
TWO PLACE DECIMAL $\pm .03$
THREE PLACE DECIMAL $\pm .01$

Surface Area	
MATERIAL	
FINISH	
DO NOT SCALE DRAWING	

	NAME	DATE
DRAWN		
CHECKED		
ENG APPR.		
MFG APPR.		
Q.A.		
COMMENTS:		

KENDALL HOWARD

TITLE:
**27U LINIER FS
NO DOORS**

SIZE	DWG. NO.	REV
A	3180-3-001-27 WP	
SCALE: 1:20		WEIGHT: 100.45
SHEET 2 OF 2		