

NOTE:  
22.5 MAX RAIL TO RAIL  
12.5 MIN RAIL TO RAIL

UNLESS OTHERWISE SPECIFIED:  
DIMENSIONS ARE IN INCHES  
TOLERANCES:  
FRACTIONAL  $\pm 1/8$   
ANGULAR: BEND  $\pm 1$  DEGREE  
TWO PLACE DECIMAL  $\pm .03$   
THREE PLACE DECIMAL  $\pm .01$

Surface Area

MATERIAL

FINISH

APPLICATION

DO NOT SCALE DRAWING

	NAME	DATE
DRAWN		
CHECKED		
ENG APPR.		
MFG APPR.		
Q.A.		
COMMENTS:		

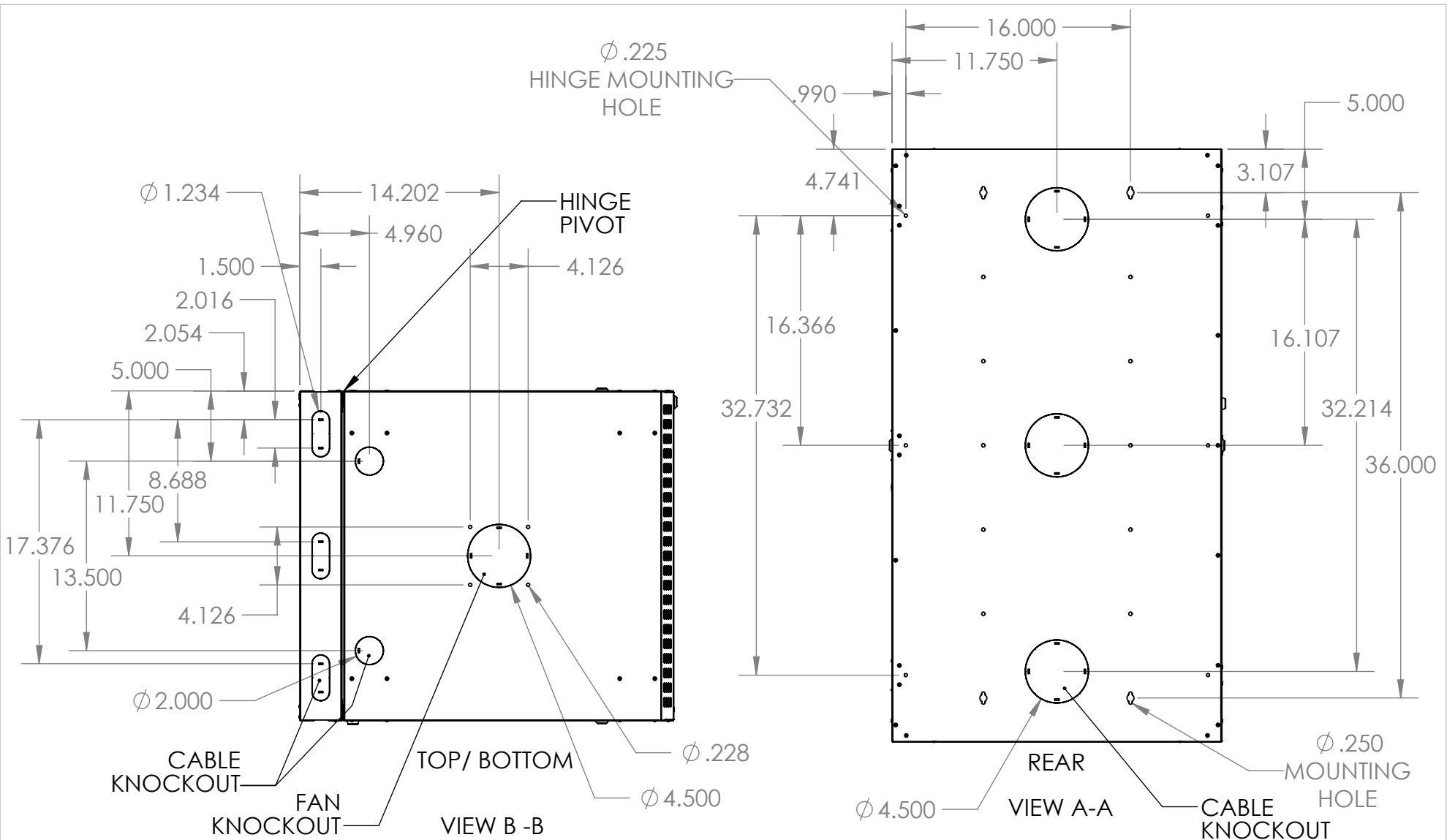
**KENDALL HOWARD**

TITLE:  
**22U LINIER WM SWINGOUT  
CABINET- SOLID DOOR**

SIZE	DWG. NO.	REV
<b>A</b>	<b>3131-3-001-22 WP</b>	
SCALE: 1:10	WEIGHT: 81.37	SHEET 1 OF 2

**PROPRIETARY AND CONFIDENTIAL**  
THE INFORMATION CONTAINED IN THIS DRAWING IS THE SOLE PROPERTY OF KENDALL HOWARD. ANY REPRODUCTION IN PART OR AS A WHOLE WITHOUT THE WRITTEN PERMISSION OF KENDALL HOWARD IS STRICTLY PROHIBITED.

<b>WEB PRINT</b>	
NEXT ASSY	USED ON
APPLICATION	



**PROPRIETARY AND CONFIDENTIAL**  
 THE INFORMATION CONTAINED IN THIS DRAWING IS THE SOLE PROPERTY OF KENDALL HOWARD. ANY REPRODUCTION IN PART OR AS A WHOLE WITHOUT THE WRITTEN PERMISSION OF KENDALL HOWARD IS STRICTLY PROHIBITED.

**WEB PRINT**

NEXT ASSY	USED ON
APPLICATION	

UNLESS OTHERWISE SPECIFIED:  
 DIMENSIONS ARE IN INCHES  
 TOLERANCES:  
 FRACTIONAL ± 1/8  
 ANGULAR: BEND ± 1 DEGREE  
 TWO PLACE DECIMAL ± .03  
 THREE PLACE DECIMAL ± .01

Surface Area
MATERIAL
FINISH
DO NOT SCALE DRAWING

DRAWN	NAME	DATE
CHECKED		
ENG APPR.		
MFG APPR.		
Q.A.		
COMMENTS:		

**KENDALL HOWARD**

TITLE:  
**22U LINIER WM SWINGOUT CABINET- SOLID DOOR**

SIZE	DWG. NO.	REV
<b>A</b>	<b>3131-3-001-22 WP</b>	
SCALE: 1:10	WEIGHT: 81.37	SHEET 2 OF 2