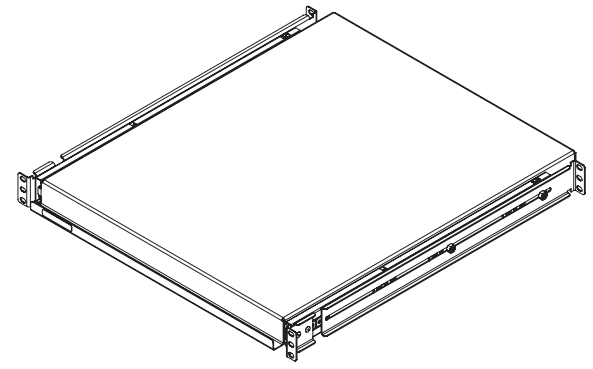
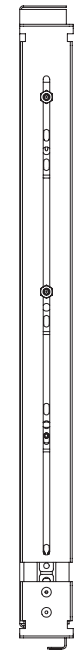
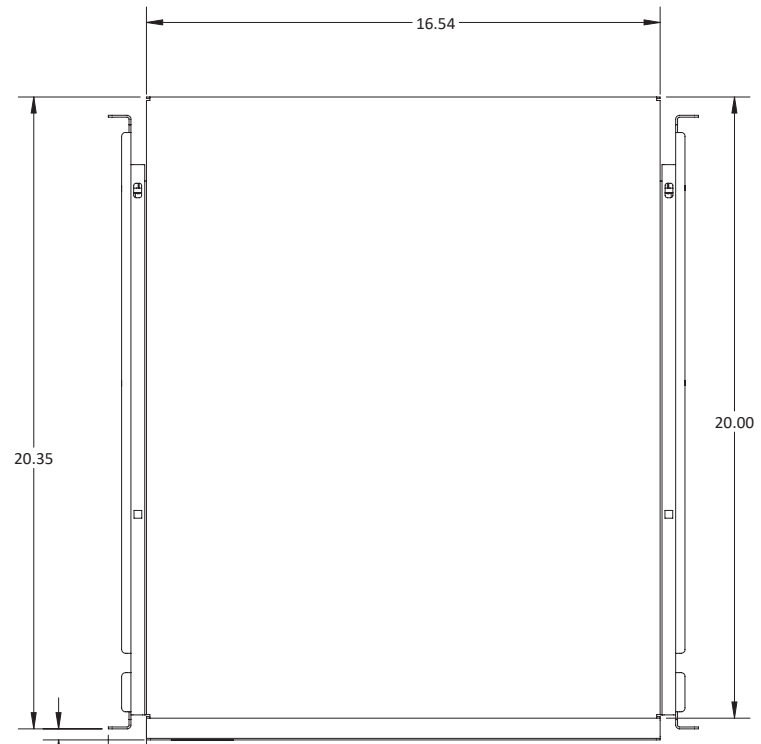


6 5 4 3 2 1

REVISIONS				
REV	ECO	DESCRIPTION	DATE	APPROVED
A		Initial Release	09/30/2024	BS



- NOTE:
1. 16GA AND 18GA COLD ROLLE STEEL.
  2. MEDIUM TEXTURE BLACK POWDER COAT.
  3. SLIDES EXTEND 18", MAXIMUM WEIGHT 100LBS.

<p><b>KENDALL HOWARD CONFIDENTIAL</b> THE INFORMATION CONTAINED IN THIS DRAWING IS THE SOLE PROPERTY OF KENDALL HOWARD. ANY REPRODUCTION IN PART OR AS A WHOLE WITHOUT THE WRITTEN PERMISSION OF KENDALL HOWARD IS STRICTLY PROHIBITED.</p> <p><b>MANUFACTURING COMMENTS:</b></p>	<p>UNLESS OTHERWISE SPECIFIED, ALL DIMENSIONS ARE IN INCHES.</p>	<p>APPROVAL</p> <p>DRAWN</p> <p>DESIGN</p> <p>ENG APPR</p> <p>MFG APPR</p>	<p>DATE</p> <p>09/30/2024</p>	<p><b>KENDALL HOWARD</b></p> <p>TITLE: <b>20" RACKMOUNTABLE SLIDING SHELF</b></p>	
	<p>SURFACE AREA (in<sup>2</sup>):</p> <p>FINISH ID:</p> <p>FINISH DESCRIPTION:</p>	<p>MATERIAL:</p> <p>CLASSIFICATION:</p> <p>Product Data</p> <p>THIRD ANGLE PROJECTION</p>	<p>LEGACY Part Number:</p>		<p>SIZE</p> <p>DWG. NO.</p> <p><b>B 1922-3-300-01</b></p> <p><b>PRODUCT DATA</b></p>
	<p>DO NOT SCALE DRAWING</p>	<p>INTERPRET DIMENSIONS AND TOLERANCES PER ASME Y14.5-2009</p>	<p>SCALE: 1:4</p> <p>WEIGHT (lbs):</p>		<p>REV</p> <p><b>A</b></p> <p>SHEET 1 OF 1</p>

6 5 4 3 2 1