

6

5

4

3

2

1

E

E

D

D

C

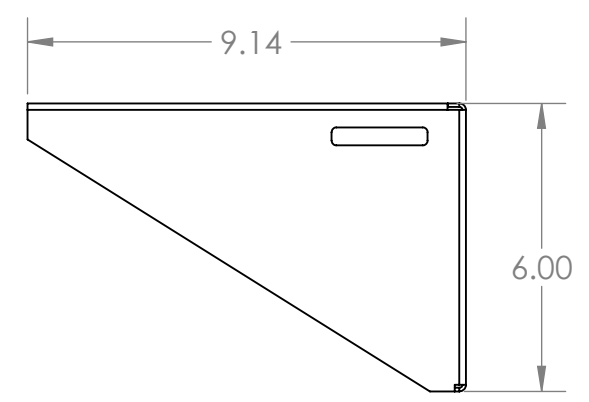
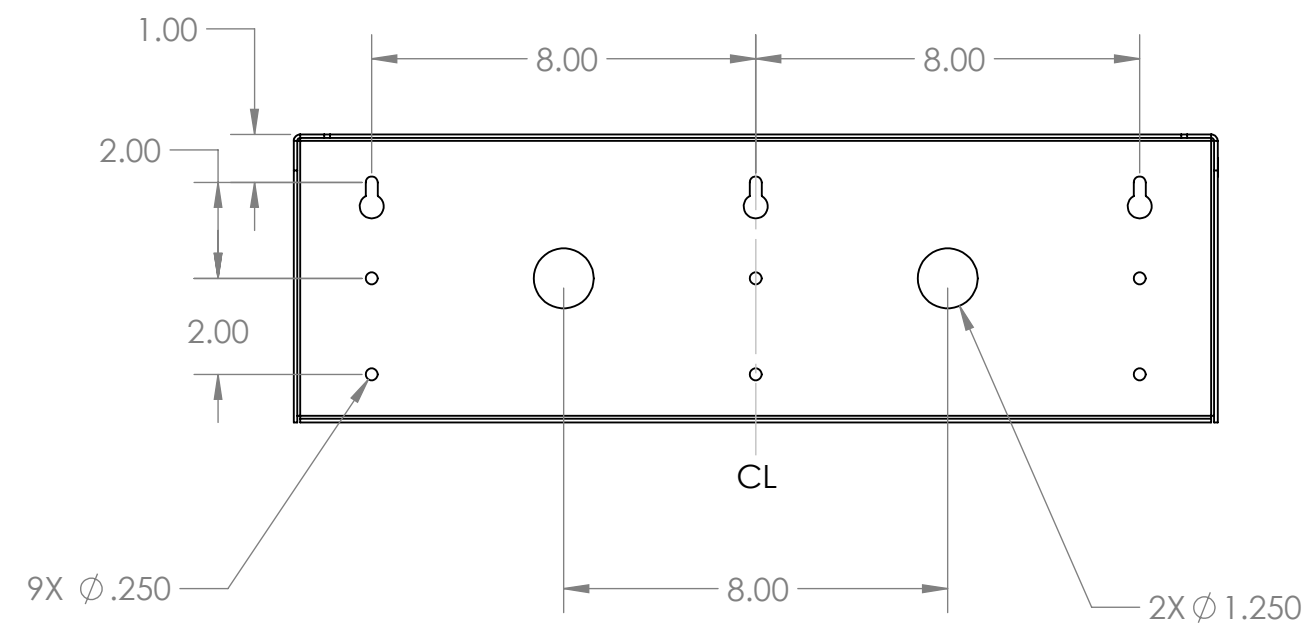
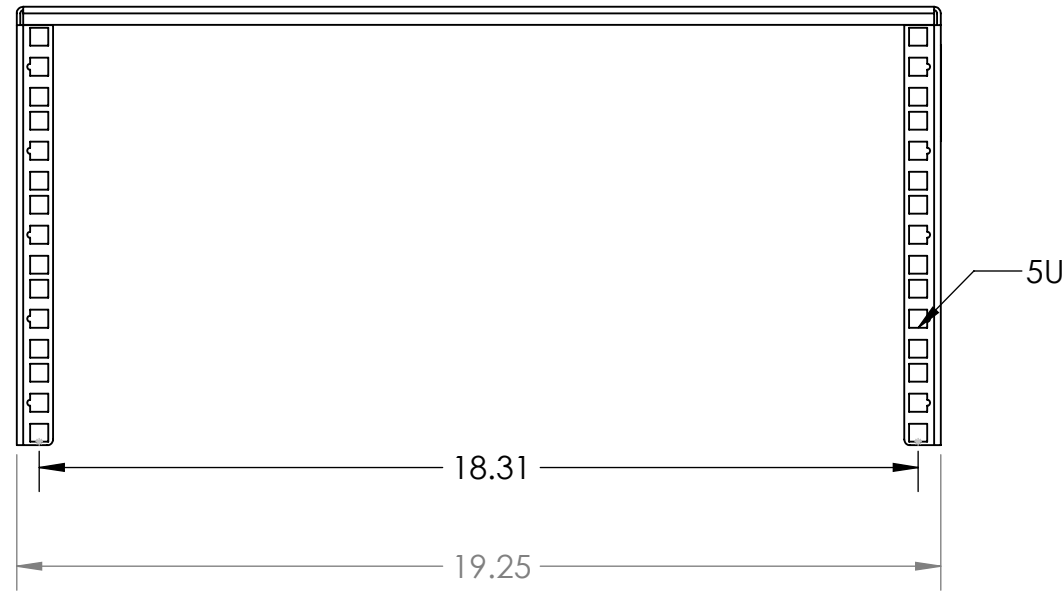
C

B

B

A

A



<p>KENDALL HOWARD CONFIDENTIAL THE INFORMATION CONTAINED IN THIS DRAWING IS THE SOLE PROPERTY OF KENDALL HOWARD. ANY REPRODUCTION IN PART OR AS A WHOLE WITHOUT THE WRITTEN PERMISSION OF KENDALL HOWARD IS STRICTLY PROHIBITED.</p>	<p>UNLESS OTHERWISE SPECIFIED, ALL DIMENSIONS ARE IN INCHES.</p> <p>TOLERANCES: FRACTIONAL: ±1/8 ANGULAR: ±1° TWO PLACE DECIMAL: ±.03 THREE PLACE DECIMAL: ±.010 HOLE: ±.005</p>	<table border="1"> <tr> <th colspan="2">APPROVAL</th> <th>DATE</th> </tr> <tr> <td>DRAWN</td> <td>TK</td> <td>8/16/23</td> </tr> <tr> <td>DESIGN</td> <td>TK</td> <td>02/19/2024</td> </tr> <tr> <td>ENG APPR</td> <td></td> <td></td> </tr> <tr> <td>MFG APPR</td> <td></td> <td></td> </tr> </table>	APPROVAL		DATE	DRAWN	TK	8/16/23	DESIGN	TK	02/19/2024	ENG APPR			MFG APPR			<p>KENDALL HOWARD </p>
	APPROVAL		DATE															
	DRAWN	TK	8/16/23															
	DESIGN	TK	02/19/2024															
ENG APPR																		
MFG APPR																		
<p>MANUFACTURING COMMENTS:</p>	<p>MATERIAL: SEE BOM</p> <p>SURFACE AREA (in²): NA</p> <p>FINISH ID: NA</p> <p>FINISH DESCRIPTION: NA</p>	<p>LEGACY Part Number:</p> <p>CLASSIFICATION: Wall Mount Racks Cabinets</p>	<p>TITLE: 5U V-RACK- CAGE NUT RAILS</p>															
	<p>DO NOT SCALE DRAWING</p>	<p>THIRD ANGLE PROJECTION </p> <p>INTERPRET DIMENSIONS AND TOLERANCES PER ASME Y14.5-2009</p>	<table border="1"> <tr> <td>SIZE</td> <td>DWG. NO.</td> <td>REV</td> </tr> <tr> <td>B</td> <td>1916-2-100-5</td> <td>A</td> </tr> </table>	SIZE	DWG. NO.	REV	B	1916-2-100-5	A									
	SIZE	DWG. NO.	REV															
B	1916-2-100-5	A																
		<p>SCALE: 1:4 WEIGHT (lbs): 4.69 SHEET 1 OF 1</p>																