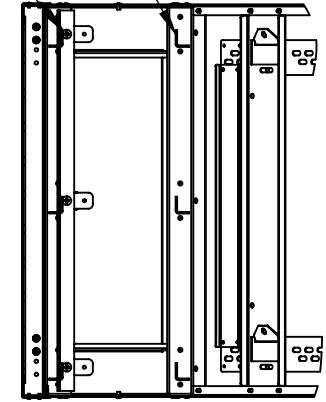


17.50" MAXIMUM DIMENSIONABLE DEPTH
13.00" MINIMUM DIMENSIONAL DEPTH

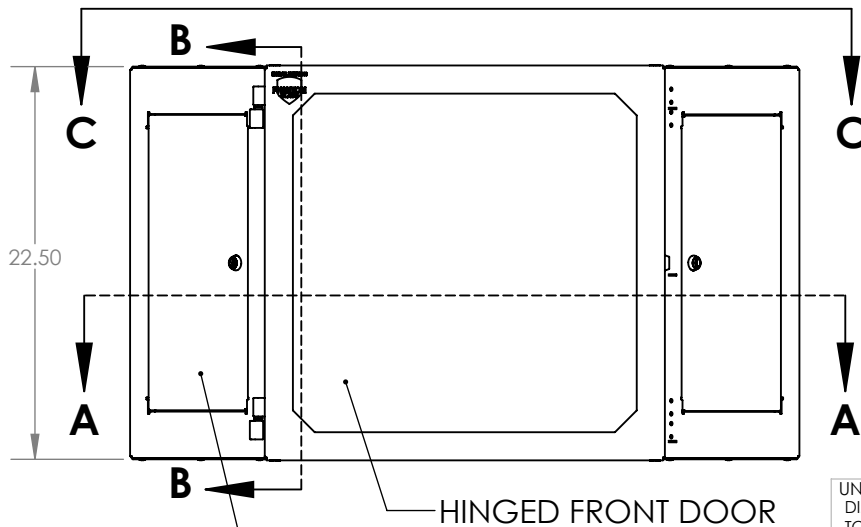
VERTICAL RAIL LOCATION #10
VERTICAL RAIL LOCATION #1

CORNER RACK
COMPONENT USABLE AREA



SECTION B-B
SCALE 1:11

VERTICAL RAIL LOCATION	CLEARANCE TO DOOR	DEPTH OF COMPONENT
1	1.76"	17.50"
2	2.26"	17.00"
3	2.76"	16.50"
4	3.26"	16.00"
5	3.76"	15.50"
6	4.26"	15.00"
7	4.76"	14.50"
8	5.26"	14.00"
9	5.76"	13.50"
10	6.26"	13.00"



2X HINGED SIDE DOORS

HINGED FRONT DOOR

NOTE:

1. RAIL TO RAIL HOLE SPACING 18.312"
2. MAXIMUM COMPONENT WIDTH BETWEEN RAILS 17.81"
3. COLOR IS TEXTURED BLACK.

UNLESS OTHERWISE SPECIFIED:
DIMENSIONS ARE IN INCHES
TOLERANCES:
FRACTIONAL ± 1/8
ANGULAR: BEND ± 1 DEGREE
TWO PLACE DECIMAL ± .03
THREE PLACE DECIMAL ± .01
Surface Area

WEB PRINT

PROPRIETARY AND CONFIDENTIAL
THE INFORMATION CONTAINED IN THIS DRAWING IS THE SOLE PROPERTY OF KENDALL HOWARD. ANY REPRODUCTION IN PART OR AS A WHOLE WITHOUT THE WRITTEN PERMISSION OF KENDALL HOWARD IS STRICTLY PROHIBITED.

NEXT ASSY	USED ON	MATERIAL	FINISH
APPLICATION		DO NOT SCALE DRAWING	

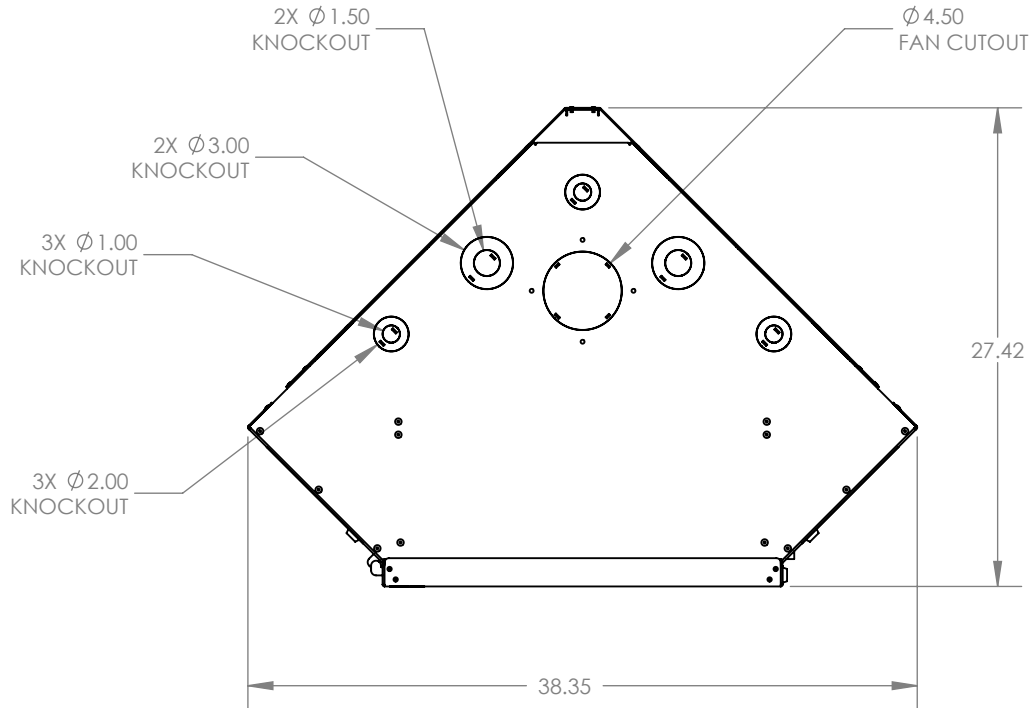
	NAME	DATE
DRAWN		
CHECKED		
ENG APPR.		
MFG APPR.		
Q.A.		
COMMENTS:		

KENDALL HOWARD

TITLE:
WEB PRINT- CORNER WALL RACK- ADJUSTABLE RAILS

SIZE DWG. NO. REV
A 1915-3-700-12 WP

SCALE: 1:20 WEIGHT: SHEET 1 OF 2



VIEW C-C
SCALE 1 : 11
TYP TOP/BOTTOM

PROPRIETARY AND CONFIDENTIAL
THE INFORMATION CONTAINED IN THIS DRAWING IS THE SOLE PROPERTY OF KENDALL HOWARD. ANY REPRODUCTION IN PART OR AS A WHOLE WITHOUT THE WRITTEN PERMISSION OF KENDALL HOWARD IS STRICTLY PROHIBITED.

WEB PRINT	
NEXT ASSY	USED ON

CATEGORY:

UNLESS OTHERWISE SPECIFIED:
DIMENSIONS ARE IN INCHES
TOLERANCES:
FRACTIONAL: NA
ANGULAR: BEND: NA
TWO PLACE DECIMAL: NA
THREE PLACE DECIMAL: NA
HOLES: NA

SURFACE AREA
MATERIAL
FINISH

DO NOT SCALE DRAWING

	NAME	DATE
DRAWN		
CHECKED		
ENG APPR.		
MFG APPR.		
Q.A.		
COMMENTS:		

KENDALL HOWARD

TITLE:
WEB PRINT- CORNER WALL RACK- ADJUSTABLE RAILS

SIZE	DWG. NO.	REV
A	1915-3-700-12 WP	

SCALE: 1:20	WEIGHT:	SHEET 2 OF 2
-------------	---------	--------------