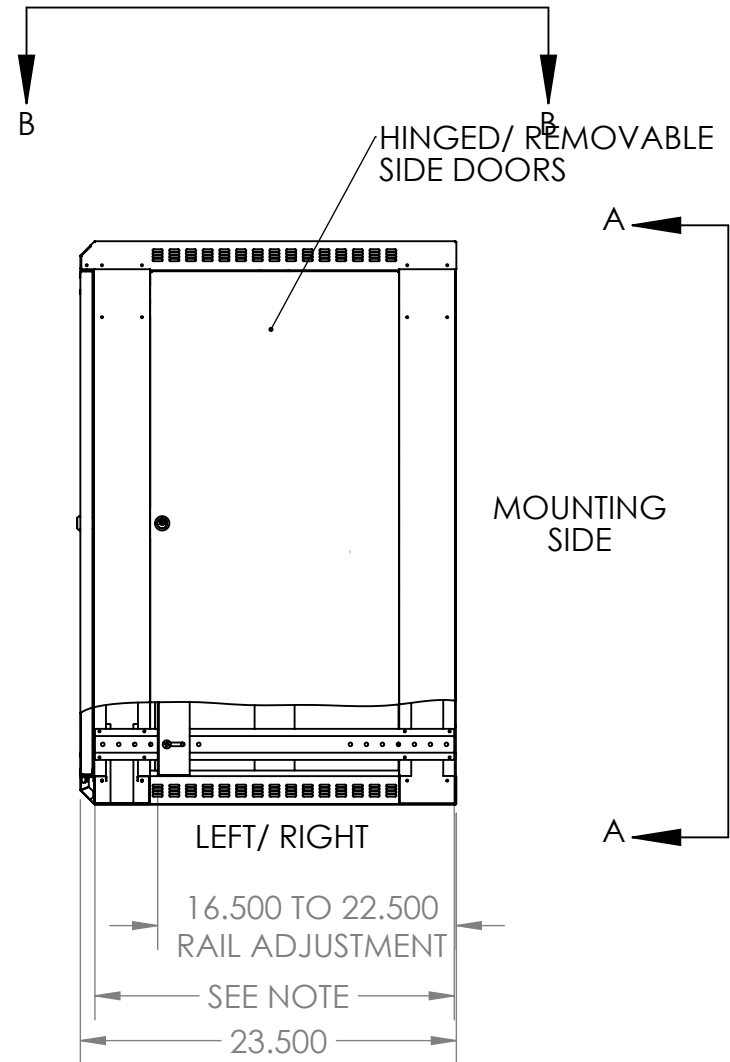
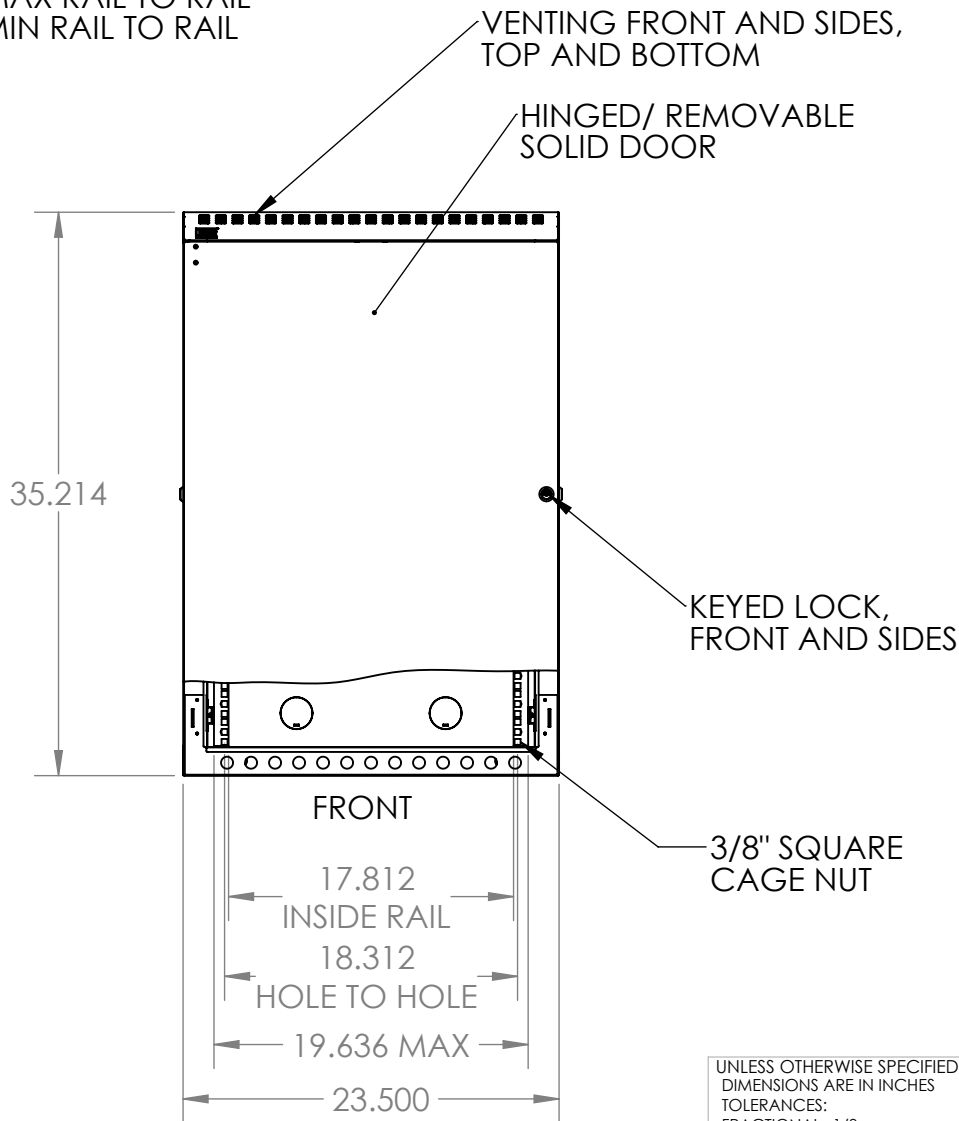


NOTE:
 22.5 MAX RAIL TO RAIL
 12.5 MIN RAIL TO RAIL



UNLESS OTHERWISE SPECIFIED:
 DIMENSIONS ARE IN INCHES
 TOLERANCES:
 FRACTIONAL $\pm 1/8$
 ANGULAR: BEND ± 1 DEGREE
 TWO PLACE DECIMAL $\pm .03$
 THREE PLACE DECIMAL $\pm .01$
 Surface Area

WEB PRINT

PROPRIETARY AND CONFIDENTIAL
 THE INFORMATION CONTAINED IN THIS
 DRAWING IS THE SOLE PROPERTY OF
 KENDALL HOWARD. ANY REPRODUCTION
 IN PART OR AS A WHOLE WITHOUT THE
 WRITTEN PERMISSION OF KENDALL HOWARD
 IS STRICTLY PROHIBITED.

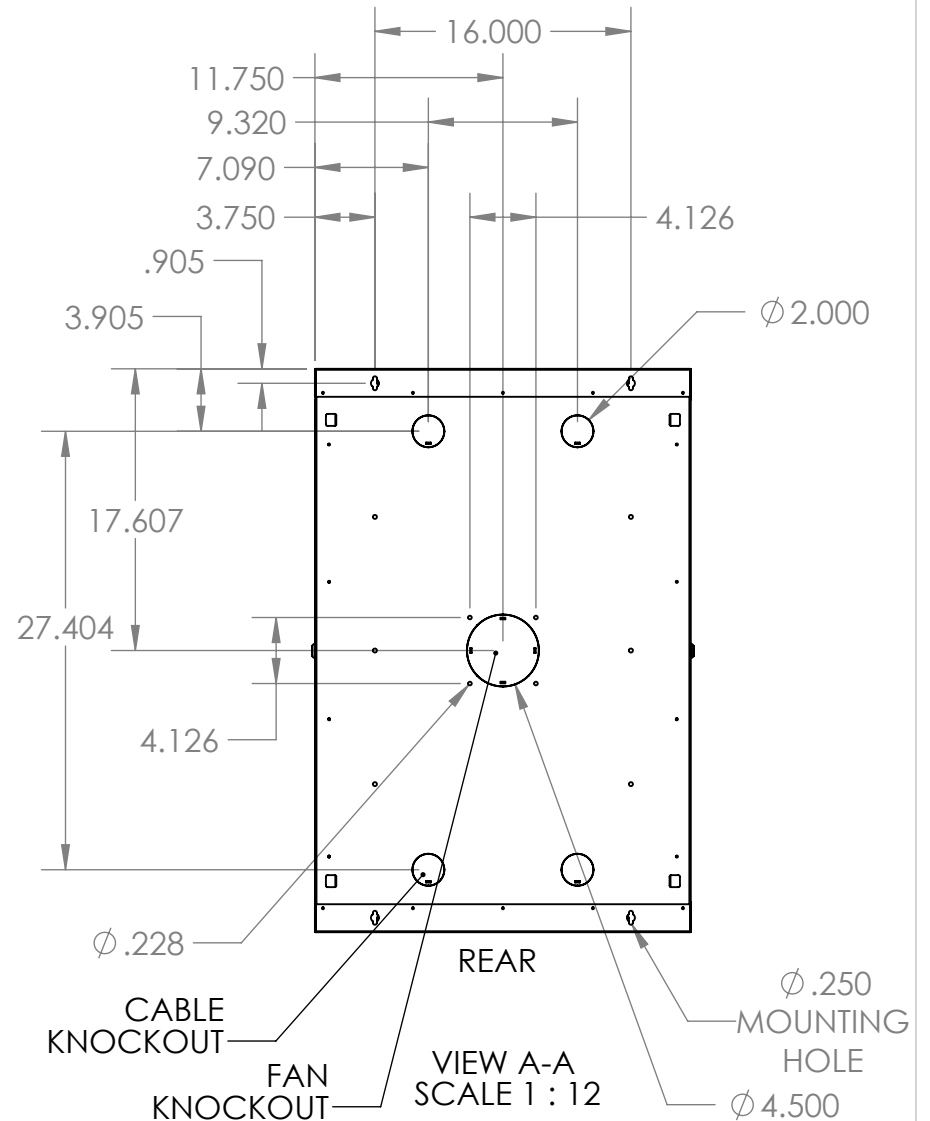
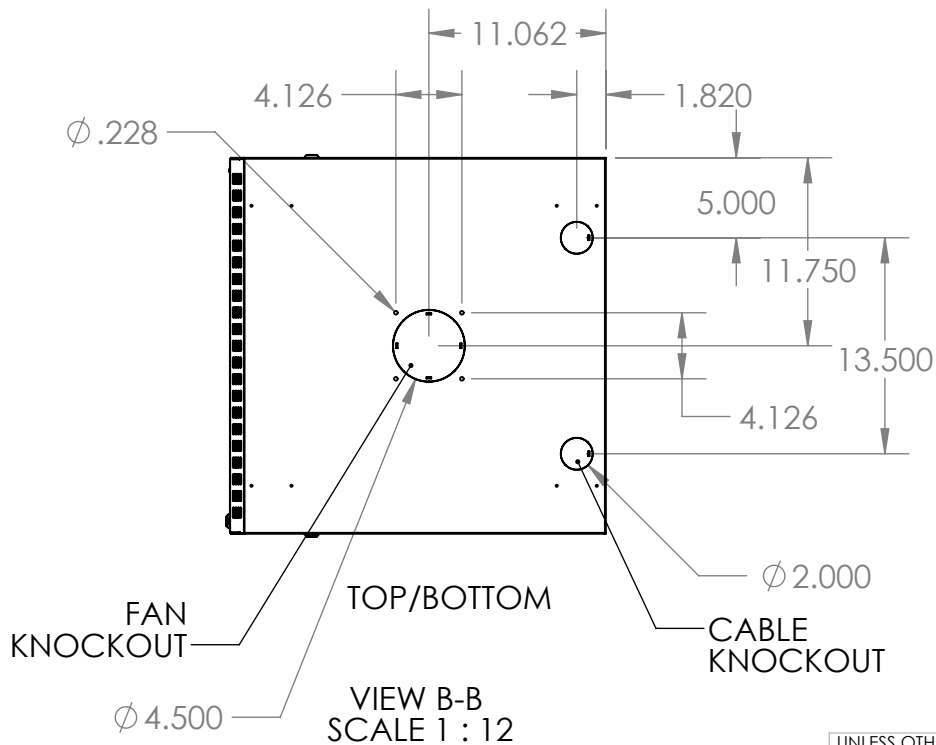
NEXT ASSY		USED ON	MATERIAL
APPLICATION		DO NOT SCALE DRAWING	FINISH

	NAME	DATE
DRAWN		
CHECKED		
ENG APPR.		
MFG APPR.		
Q.A.		
COMMENTS:		

KENDALL HOWARD

TITLE:
**18U LINIER WM FIXED
 CABINET- SOLID DOOR**

SIZE	DWG. NO.	REV
A	3141-3-001-18 WP	
SCALE: 1:20	WEIGHT: 59.96	SHEET 1 OF 2



UNLESS OTHERWISE SPECIFIED:
DIMENSIONS ARE IN INCHES
TOLERANCES:
FRACTIONAL ±1/8
ANGULAR: BEND ±1DEGREE
TWO PLACE DECIMAL ±.03
THREE PLACE DECIMAL ±.01

Surface Area
MATERIAL
FINISH
DO NOT SCALE DRAWING

WEB PRINT

NEXT ASSY	USED ON
APPLICATION	

	NAME	DATE
DRAWN		
CHECKED		
ENG APPR.		
MFG APPR.		
Q.A.		
COMMENTS:		

KENDALL HOWARD

TITLE:
18U LINIER WM FIXED CABINET- SOLID DOOR

SIZE	DWG. NO.	REV
A	3141-3-001-18 WP	

SCALE: 1:20 WEIGHT: 59.96 SHEET 2 OF 2

PROPRIETARY AND CONFIDENTIAL
THE INFORMATION CONTAINED IN THIS DRAWING IS THE SOLE PROPERTY OF KENDALL HOWARD. ANY REPRODUCTION IN PART OR AS A WHOLE WITHOUT THE WRITTEN PERMISSION OF KENDALL HOWARD IS STRICTLY PROHIBITED.