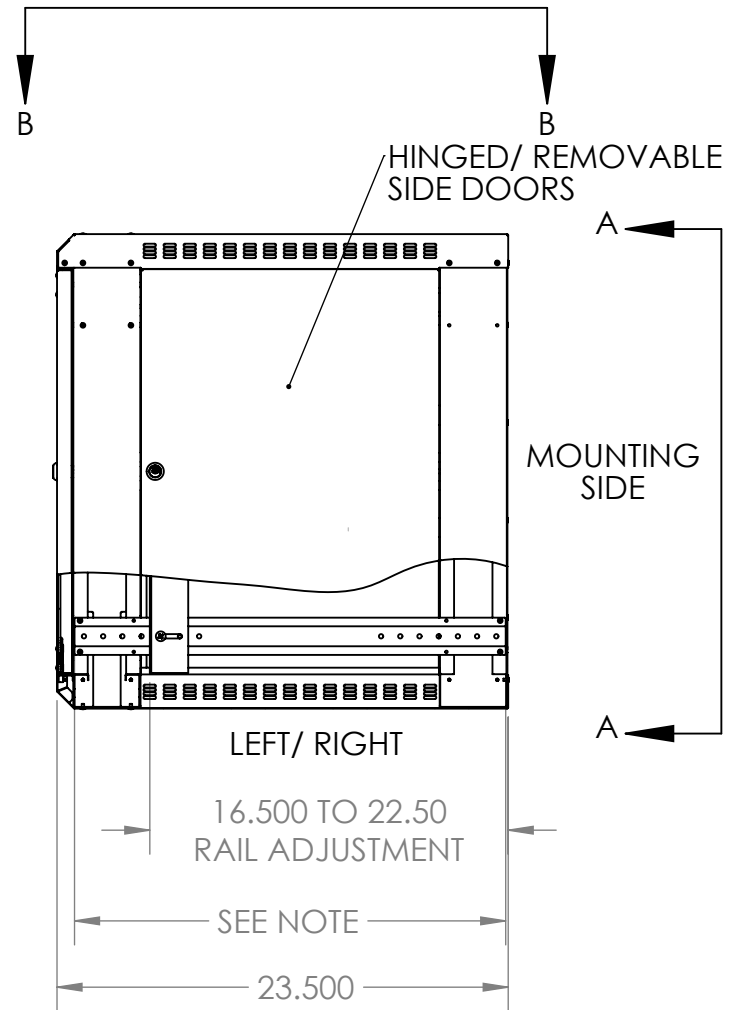
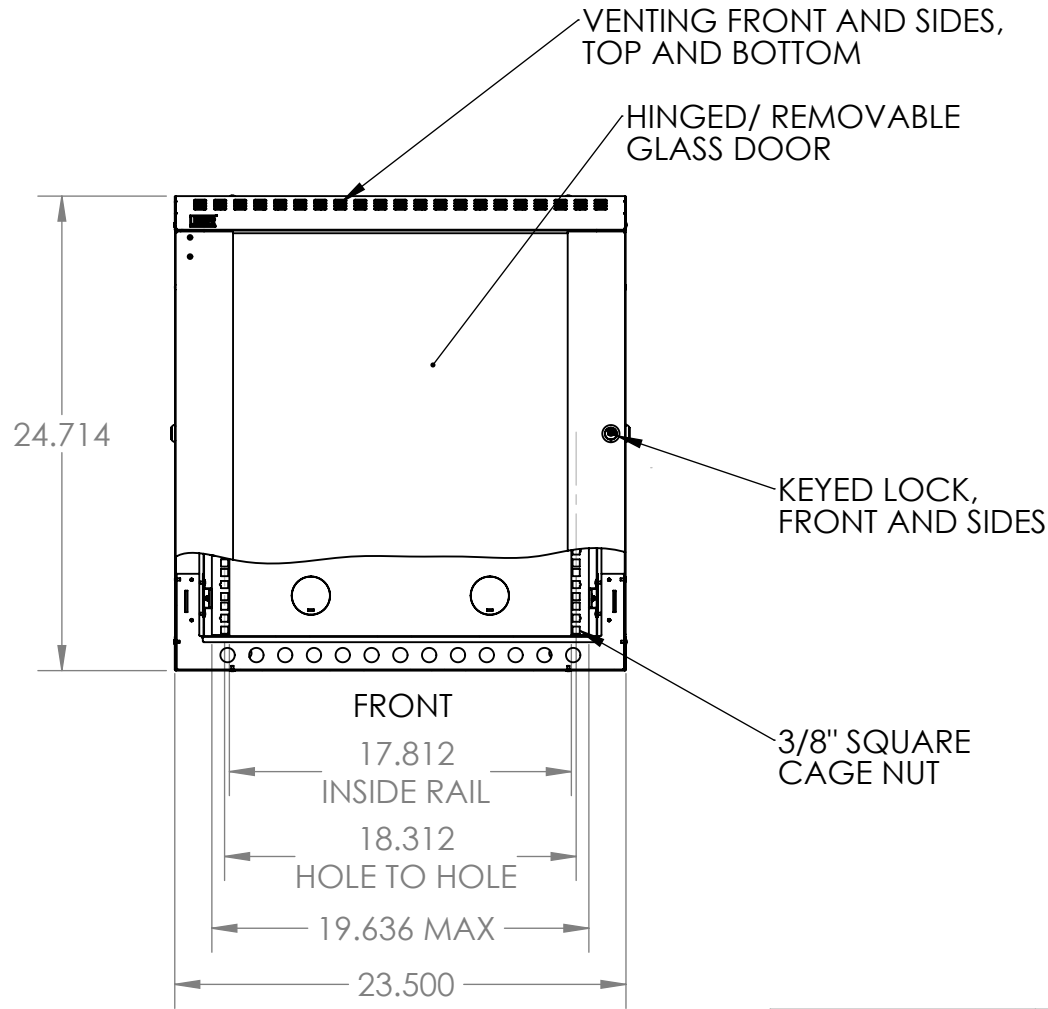


NOTE:  
 22.5 MAX RAIL TO RAIL  
 12.5 MIN RAIL TO RAIL



UNLESS OTHERWISE SPECIFIED:  
 DIMENSIONS ARE IN INCHES  
 TOLERANCES:  
 FRACTIONAL ± 1/8  
 ANGULAR: BEND ± 1 DEGREE  
 TWO PLACE DECIMAL ± .03  
 THREE PLACE DECIMAL ± .01

Surface Area

MATERIAL

FINISH

APPLICATION

DO NOT SCALE DRAWING

	NAME	DATE
DRAWN		
CHECKED		
ENG APPR.		
MFG APPR.		
Q.A.		
COMMENTS:		

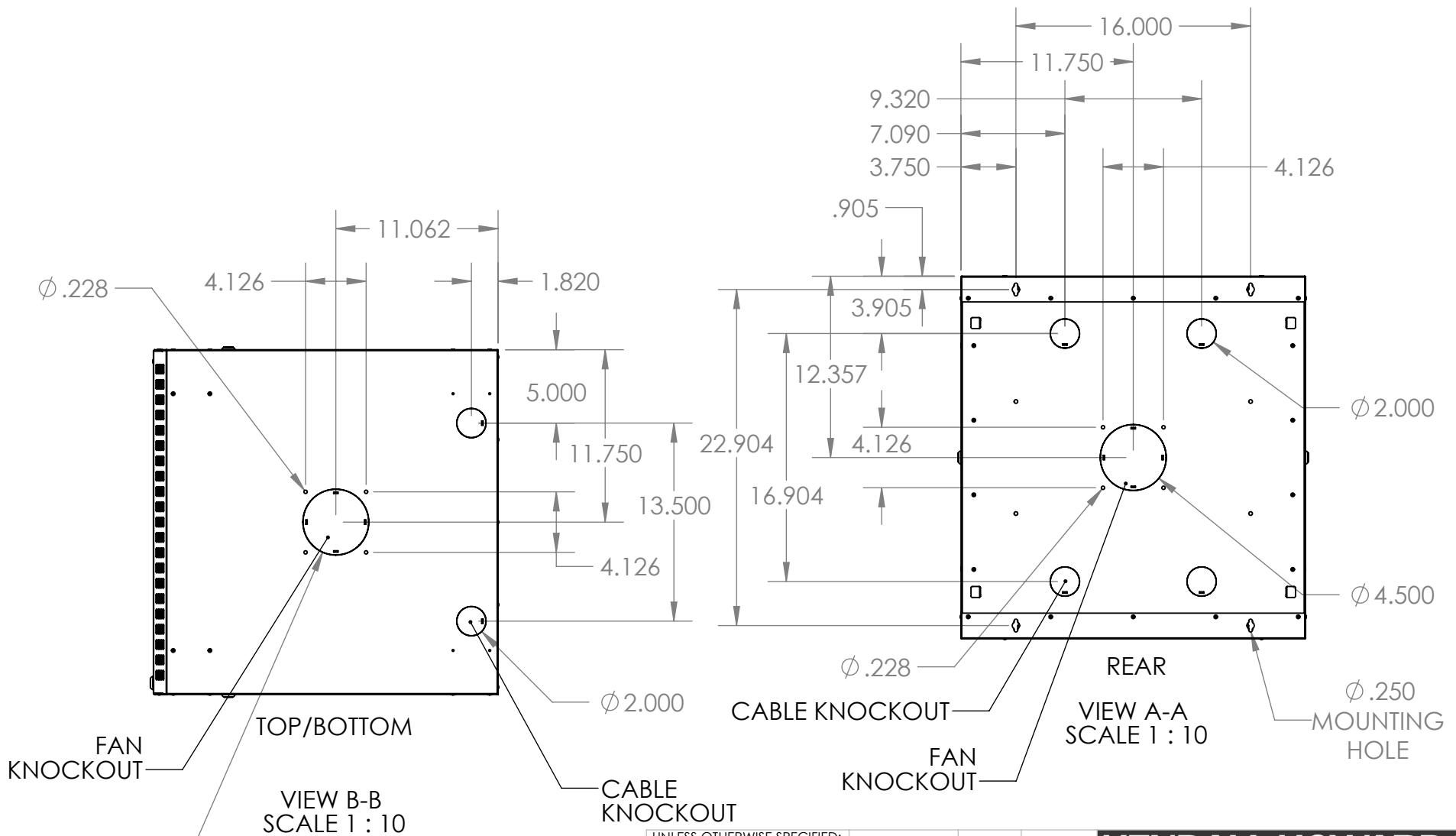
**KENDALL HOWARD**

TITLE:  
 12U LINIER WM FIXED  
 CABINET- GLASS DOOR

SIZE	DWG. NO.	REV
<b>A</b>	3140-3-001-12 WP	
SCALE: 1:20	WEIGHT: 45.94	SHEET 1 OF 2

**WEB PRINT**

**PROPRIETARY AND CONFIDENTIAL**  
 THE INFORMATION CONTAINED IN THIS DRAWING IS THE SOLE PROPERTY OF KENDALL HOWARD. ANY REPRODUCTION IN PART OR AS A WHOLE WITHOUT THE WRITTEN PERMISSION OF KENDALL HOWARD IS STRICTLY PROHIBITED.



FAN KNOCKOUT

TOP/BOTTOM

VIEW B-B  
SCALE 1 : 10

CABLE KNOCKOUT

CABLE KNOCKOUT

FAN KNOCKOUT

REAR  
VIEW A-A  
SCALE 1 : 10

Ø .250  
MOUNTING HOLE

**PROPRIETARY AND CONFIDENTIAL**  
THE INFORMATION CONTAINED IN THIS DRAWING IS THE SOLE PROPERTY OF KENDALL HOWARD. ANY REPRODUCTION IN PART OR AS A WHOLE WITHOUT THE WRITTEN PERMISSION OF KENDALL HOWARD IS STRICTLY PROHIBITED.

**WEB PRINT**

NEXT ASSY	USED ON
APPLICATION	

UNLESS OTHERWISE SPECIFIED: DIMENSIONS ARE IN INCHES TOLERANCES: FRACTIONAL ± 1/8 ANGULAR: BEND ± 1 DEGREE TWO PLACE DECIMAL ± .03 THREE PLACE DECIMAL ± .01 Surface Area	NAME	DATE
MATERIAL		
FINISH		
DO NOT SCALE DRAWING		

DRAWN		
CHECKED		
ENG APPR.		
MFG APPR.		
Q.A.		
COMMENTS:		

**KENDALL HOWARD**

TITLE:  
**12U LINIER WM FIXED CABINET- GLASS DOOR**

SIZE	DWG. NO.	REV
<b>A</b>	<b>3140-3-001-12 WP</b>	
SCALE: 1:20	WEIGHT: 45.94	SHEET 2 OF 2